

Flare™

2MP/4MP CAMERAS



Video cameras with CMOSIS CMV2000 & CMV4000 Sensors

APPLICATIONS

Automated Inspection

High Speed Motion Analysis

Research Imaging

Specialty Video Production



FEATURES INCLUDE:

- Monochrome, Colour and Near-IR Models
- Global Shutter CMOS with CDS
- CoaXPress or Camera Link Output
- C-mount or optional Active EF-mount
- Selectable 8-bit or 10-bit Data Formats
- Multiple ROIs and Subsampling
- High Sensitivity with Low Noise
- Low Power Consumption


Álava
Ingenieros
GRUPO ÁLAVA


IO INDUSTRIES

SPECIFICATIONS

Camera Model	Flare 2MP	Flare 4MP
Sensor Size (H x V)	2048 x 1088	2048 x 2048
Frame rate (full resolution)	CX: 264 fps (8-bit), 211 fps (10-bit) CL: 337 fps (8-bit), 281 fps (10-bit)	CX: 140 fps (8-bit), 112 fps (10-bit) CL: 179 fps (8-bit), 149 fps (10-bit)
Optical Format	Approx. 2/3" (12.7mm diagonal)	1" (15.9mm diagonal)
Sensor Type	CMOS w. global electronic shutter	
Sensor Options	Monochrome, color (Bayer) or NIR-enhanced monochrome	
Pixel Size	5.5 x 5.5µm	
Dynamic Range / Sensitivity	60 dB, 5.56 V/lux.s	
Output Configurations	CX: 1 or 2 links at 3.125Gbps (CXP-3) CL: Base, Medium, Full, Full 80-bit (80MHz Pixel Clock)	
Pixel Bit Depth	8-bit or 10-bit	
Exposure Control	Trigger width, timed, or auto-exposure control	
Image Correction	Column-based FPN/PRNU correction, bad pixel replacement	
Color Processing	Auto white balance (tracking or manual), programmable LUTs	
Camera Configuration	GenICam (CX), ASCII commands (CL), or Flare Control software	
Mechanical/Electrical		
Dimensions	63.5 mm x 63.5 mm x 44.1 mm	
Lens Mount	C-mount or T-mount (M42 x 0.75)	
Weight	310g	
Power Requirements	CX: 4.5W, 12-24V DC via Hirose 12-pin or 24V via PoCXP CL: 2.5W, 12V DC via Hirose 12-pin or PoCL	
Additional I/O (Hirose 12-pin)	Opto-isolated trigger input/output, EF-mount lens control interface	
Operating Temperature	-10°C to 50°C, 20-85% humidity (non-condensing)	
Storage Temperature	-40°C to 85°C, 10-90% humidity (non-condensing)	

ORDERING

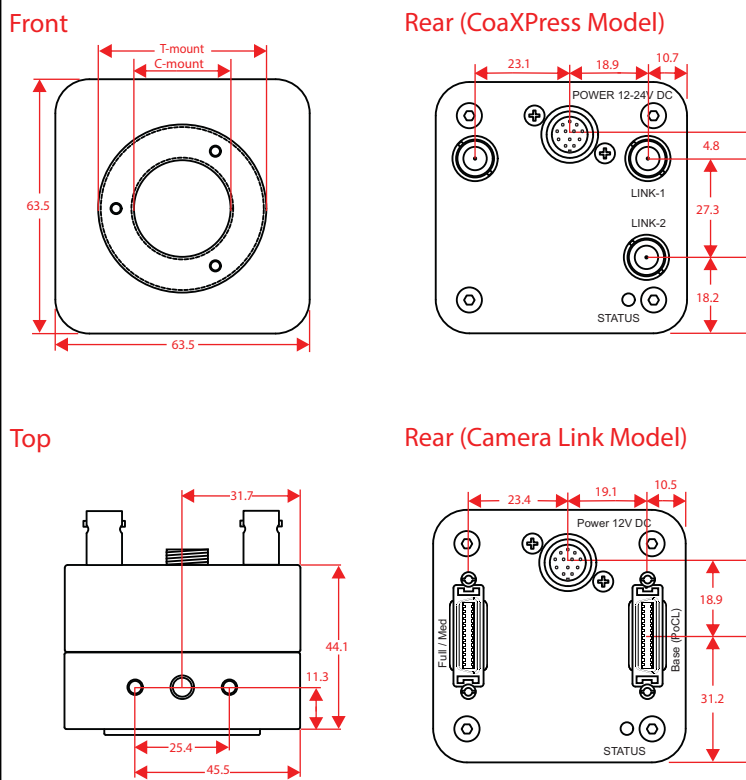
Example: **2M360CCL-E**

Camera	Enhanced Noise Reduction <small>(available for 2M280 and 2M360 only)</small>
2M360 (CL)	
2M280 (CX)	
4M140 (CL)	
4M180 (CX)	
Sensor Type	Interface
M - Monochrome	CX - CoaXPress
C - Color (with IR filter)	CL - Camera Link
N - Near-IR Enhanced Monochrome	

FRAME RATE CHART

Frame Rates by Resolution and Bit Depth	2M280xCX (2x CXP-3)		2M360xCL (2x Full 80-bit)		4M140xCX (2x CXP-3)		4M180xCL (2x Full 80-bit)	
	8-bit	10-bit	8-bit	10-bit	8-bit	10-bit	8-bit	10-bit
2048 x 2048	-	-	-	-	140	112	179	149
2048 x 1536	-	-	-	-	186	149	238	198
2048 x 1088	264	211	337	281	261	209	334	278
1920 x 1080	266	212	340	283	263	211	337	280
1280 x 1024	358	358	358	298	355	355	355	295
1280 x 720	507	507	507	422	500	500	500	417
800 x 600	607	607	607	505	597	597	597	497
640 x 480	755	755	755	629	740	740	740	616

MECHANICAL DIAGRAMS



Visit us at: www.ioindustries.com
 15940 Robin's Hill Road
 London, Ontario, Canada, N5V 0A4
 Tel: +1 519 663 9570
 Email: sales@ioindustries.com

LET'S STAY CONNECTED!



@IOINDUSTRIES



@IOINDUSTRIES



@IO-INDUSTRIES

Copyright © 2016 IO Industries Inc. Flare is a trademark of IO Industries.
 All other trademarks are the property of their respective owners.

Datasheet Rev. 3.0 (06/10/2016)
 Specifications subject to change without notice