

Noise & Vibration

Test and Measurement Solutions

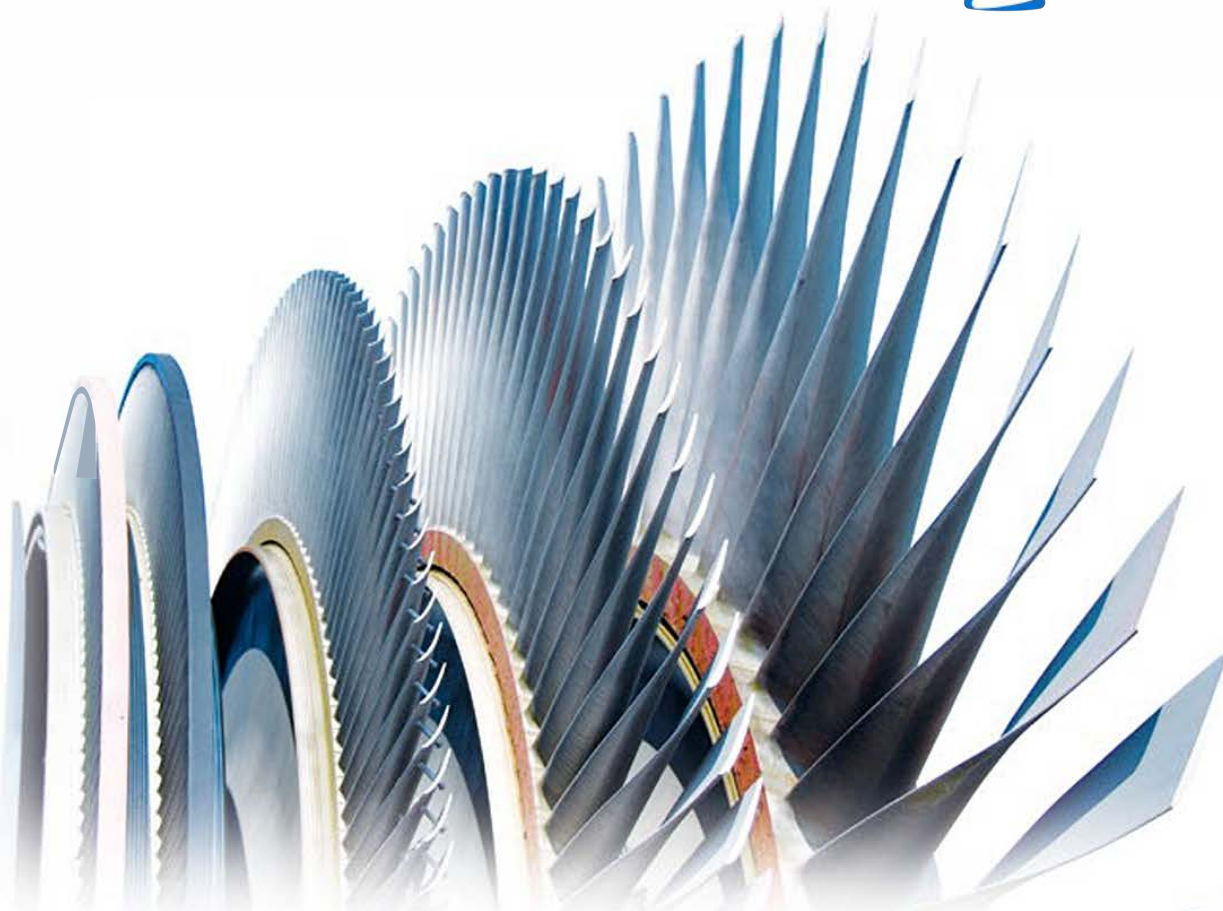
for Energy & Process Industries

Power Generation

Oil & Gas

Chemical

Petrochemical

 **Álava Ingenieros**
GRUPO ÁLAVA

Made for Your Demanding World

1- Improve Efficiency

2- Maximize Uptime

3- Minimize Costs

Test Cells

- > Prototype validation
- > Overhaul and acceptance at OEM



Improve acceptance testing efficiency

- > Integrated & automated test process and report generation
- > User friendly operation
- > Multi-channel real-time processing and monitoring
- > Universal and multiple sensors' types: proximity, velocity, acceleration, temperature, strain, pressure, etc

Field Testing

- > On-site commissioning
- > Machinery startup
- > Predictive maintenance
- > Installation vibration signatures
- > Diagnostics and troubleshooting



Travel light for reliable tests

- > Versatile toolbox for all noise and vibration diagnostic applications
- > Portable and rugged analyzers for the field measurements
- > Multi-channel simultaneous acquisition for run-up and coast downs
- > Real-time analysis for field efficiency
- > Full signal recording for office processing and archiving

Remote Monitoring

- > After installation follow-up
- > Random & unrepeatable phenomena



Optimize costs and predict failure

- > Data and signals recording based on alarm level triggering
- > Collect raw signal information for thorough office processing



They trust Oros

- > *"From rotating analysis to structural dynamic analysis: with my OROS system, I am ready for everything when I go out in the field."*

Greg PARKER, 39
Noise and Vibration technician,
Installation & Maintenance division.

OROS Solutions Boost your Efficiency

INSTRUMENTS from 2 to 32 channels, distributed up to 1000+

Flexible Connection

- > Mobile Analyzer
- > Distributed Configuration
- > Remote Access
- > Large Channel Count Systems

Multiperations

- > PC Free Recorder
- > Online & Post Analysis
- > Multianalysis
- > Handling Any Transducers

Made For the Field

- > Portable
- > Rugged
- > Real-Time
- > Multi-Channel

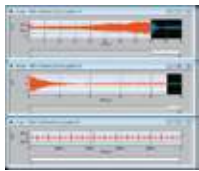
Accurate

- > DSP-based
- > 24 Bit – 40 kHz – 140 dB
- > ± 40 V input range
- > ± 0.02 dB / $\pm 0.02^\circ$



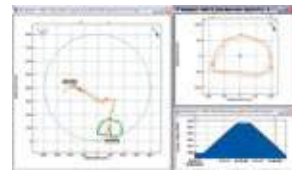
SOFTWARE R&D, Acceptance, Diagnostics

Data Acquisition



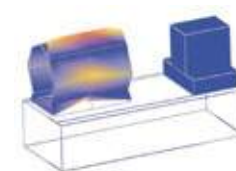
- > Recorder
- > Time Domain Analysis
- > Spectral monitoring

Rotating Analysis



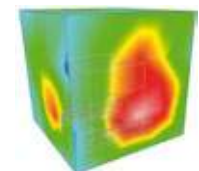
- > ORBIGate Turbomachinery Vibration
- > Reciprocating Machines Diagnostics: EngineDiag
- > FFT, Spectral Based Diagnostics
- > Balancing
- > Synchronous Order Analysis
- > Torsion & Twist

Structural Dynamics



- > FRF's, Resonances
- > ODS (Operating Deflection Shape)
- > Modal analysis

Noise Analysis



- > 1/3rd octave
- > Sound Intensity
- > Sound Power

SERVICES Anywhere Close to You



Training

- > Initial
- > Advanced
- > Webinar

Coaching

- > Software customization
- > Assistance in your measurement

Testing

- > Expertise in diagnostics
- > Troubleshooting
- > Tools for automation



A Dedicated Team

- > Dynamic and responsive Services department
- > Worldwide hotline
- > Global Accredited Maintenance Centers (worldwide coverage)
- > Renting
- > Ready-to-go systems at any time



Maintenance and Contracts

- > Premium contracts
- > Software updates
- > Hardware upgrades
- > Calibration

Measuring your Rotating Machinery

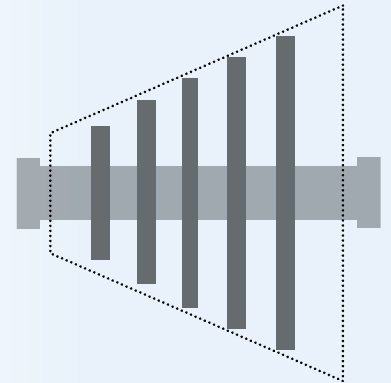


Rotating Analysis



Fluid Film Bearings

Relative shaft vibration is captured with proximity probes. Analyzing this data requires a number of software tools such as **orbit and shaft centerline** as well as order analysis (nX, Bode, Polar, etc.). ORBIGate, the OROS **turbomachinery vibration** solution, features these analysis and many more analysis tools. These tools display the physical motion of the shaft and let you detect faults such as oil whirl & whip, preload, misalignment, rub and others.



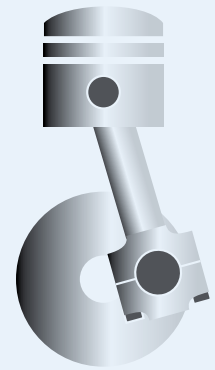
Roller Bearings

Damaged roller bearings are common. Their vibration signatures are usually measured with an accelerometer mounted on the bearing housing. In particular, the **FFT-Diagnostics module** uses **envelope demodulation** to analyze these vibration sources to determine if the source is from the roller elements or the races.



Gear Analysis

Gear boxes have a complex vibration signature, usually occurring at high frequencies. The **FFT-Diagnostics tool**, such as **cepstrum, kurtosis** and **harmonic markers** are necessary to describe and understand the generated vibrations. The virtual tachometers management feature allows the analyst to determine the speed and phase information based on the gear ratio.



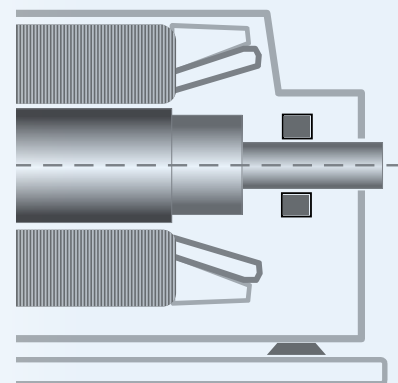
Reciprocating Machines Analysis

Reciprocating machines are complex installations. They generate specific vibration signatures. The objective is their performance optimization and faults detections. For example, **injection delay, valves faults, segmentation wear** can be identified with EngineDiag. This software module integrates the machine mechanical properties: number of cylinders, firing order and timing diagram, allowing to provide pertinent decision criteria on the field. Time signal, **overall levels** as well as **angle-frequency representation** on the machine cycle are efficient results for diagnostics.



Torsional Analysis

Torsional vibration and torque fluctuation are usual phenomena especially on large internal combustion engines. The OROS **torsional software module** utilizes a **frequency to voltage converter** for speed input providing the following information: the angular velocity profile displays RPM variations. 2 pulse train combination detects torsional resonances.



Balancing

Imbalance is probably the most common source of vibration on rotating machinery. Depending on the machine and the rotating speed range the rotor can be considered to be **rigid or flexible**. In the first case, the **Single Dual plane balancing** module will be used. In the second case a multiplane approach should be preferred and the associated **Multiplane module** should be used.

On-Site Measurements & Applied Trainings

Experts from OROS come on-site for applied trainings. They will help you using your OROS system. They can provide assistance in your measurement. They are also able to recommend optimization in your measurement process depending on your application and field requirements.



Turbines and Compressors

- > Gas and Steam Turbines
- > Compressors
- > Pumps
- > Hydro Turbines
- > Wind Mills
- > Fans and Blowers

Reciprocating Machinery

- > Internal Combustion Engines: Diesel and Gas
- > Reciprocating Compressors

Electric Machines

- > Electric Motors
- > Power Generators

Structural Dynamics



ODS (Operating Deflection Shape)

Operating deflection shape is an important analysis procedure used to **locate machinery and piping system deflection** during operation. It is based upon simplified geometry description of the machine train. After measuring the vibration response at multiple locations, the mechanical source can be identified. The **ODS software module** helps to determine vibration sources, a transmission point and eventually a mechanical modification to be implemented.



End Winding Bump Testing

Generators and motors end windings are strongly excited by frequencies at twice the network frequency: any mode nearby that frequency will create high vibration response. **FFT analyzers** and **Modal, the OROS Structural Dynamics module**, are well adapted for bump tests acquisition, resonance frequency determination and deflection shapes.



Blade Modal Testing

When blade dynamic structural characteristics should be determined, they are submitted to modal testing: based on impact hammer testing or shaker excitation. Based on **multichannel analyzers**, vibration response can be captured by accelerometers or strain gauges. **Modal, the OROS Structural Dynamics module**, can process the FRFs to give the modal characteristics.



Damping & Isolation

Dynamic coupling between machine trains and their **skids or foundations** can be a problem during the machine installation and the field acceptance test. Excitation frequencies should not match the response frequencies of the hosting structure: the mounting choice is key. To tackle this issue, OROS products such as **transfer functions, ODS, and damping calculations** assist the user in the procedures.

Noise Analysis



Octave & Sound Intensity Safety

The ambient noise generated from rotating machinery can be evaluated using general tools such as the **1/3 octave analysis**. But more thorough measurements can be achieved using the **sound power** value. The **sound intensity** technique is often completed in the field thanks to its portability and adaptability.



Ordering Information



OROS is a global manufacturer and solution provider of noise and vibration measurement systems.

OROS masters the latest technology of data acquisition, digital signal processing as well as user interface software.

OROS instruments are used in the major sectors of industry and research, for industrial acoustics, structural dynamics and rotating machinery applications. Hardware and software are totally designed in-house.

OROS instruments are renowned as being designed for the field but powerful enough for any lab.



Find out more on the OROS offer in the Range brochure.

Downloadable on www.oros.com



Edificio Antalia. Albasanz 16. 28037 Madrid

915 679 700 | grupoalava.com | alava@grupoalava.com

Madrid | Barcelona | Zaragoza | Lisboa | Lima | Texas

Software Modules

Rotating Analysis

ORNVS-ORBI	ORBIGate, the dedicated Turbomachinery Vibration Solution
ORNVS-SOA	Synchronous Order Analysis plug-in
ORNVS-FFTDiag	Spectral Based Diagnostics software Module (Envelope, Cepstrum, Pk; Pk-Pk, Crest factor, shaft view)
ORNVS-IVC	Integrated Instantaneous angular Velocity Converter plug-in, allows on-line and offline torsional analysis
ORNVS-BAL	Single Dual Plane Balancing module
ORNVS-BAL-MP	Multiplane Balancing module
ORNVS-ENGD	EngineDiag, Reciprocating Machines Diagnostics Software Module

Structural Dynamics

ORNVS-FFT	Real-time FFT plug-in
ORNVS-MOD300	ODS (Operating Deflection Shape) Solution
ORNVS-MOD350	ODS (Operating Deflection Shape) and Modal Analysis Solution

Data Acquisition

ORNVS-REC	Recorder
ORNVS-TDA	Real-time time domain analysis plug-in

Noise Analysis

ORNVS-OCT	Real-time filter based 1/n octave plug-in
ORNVS-SI	Sound Intensity Solution
ORNVS-SP	Sound Power Solution

Instruments

Analyzers: examples of configurations

Above software options may be added to these configurations	
OR34-FREQ-4	OR34-4 Ch. FFT analyzer
OR35-FREQ-8	OR35-8 Ch. FFT analyzer
OR36-FREQ-16	OR36-16 Ch. FFT analyzer
ORMP-FREQ-16	Mobi-Pack-16 Ch. FFT analyzer
OR38-FREQ-32	OR38-32 Ch. FFT analyzer

Inputs Conditioners

OR36/8 - PXD-B	8 Ch. Strain gauges bridge conditioner XPOD for OR36 & OR38
OR36/8 - XPOD-V	3 Display analog and digital vumeter monitoring XPOD
OR36/8 - PXD-T	8 Ch. PT100 and thermocouple conditioner XPOD for OR36 & OR38

Specifications

Channels count	2 to 1000+ channels - Distributed configuration
Inputs	
Sampling	2 kS/s to 102.4 kS/s - 24 bits delta sigma ADC
Accuracy	Phase $\pm 0.02^\circ$ - amplitude ± 0.02 dB - Dynamic > 140 dB
Conditioning	AC/DC/ICP/TEDS up to 40 V
Auxiliaries	
Outputs	DC to 40 kHz - ± 10 V range - 24 bits DACs -THD < 0.002%
Ext. synch (Trigger / Tach)	64 x over sampled - Resolution < 160 ns (0.06° @ 1 kHz) - up to 40 V
DC channels*	Sampling 10 Hz - 50 Hz/60 Hz rejection - reproducibility < 1 mV
System	
Hard disk	128 to 512 GB SSD
Internal battery	up to 2h
Link to PC	1 Gb/s Ethernet
Weight from	1.4 kg/3 lb to 10 kg/22 lb
* Optional features	

M002-099-6

MATLAB® is a trademark of Mathworks co. ICP® is a trademark of PCB piezoelectronics. Windows XP, Vista and 7, Word and Excel are trademarks of Microsoft Corp. Keyphasor is a trademark of GE. FAWCOS is a trademark of Imc DataWorks. ME-scope is a trademark of Vibration Technology. GlyphWorks is a trademark of rCode. DynaWorks® is a trademark of InSpace. DynamX™ and Systeo are trademarks of Dynae. NVGate®, NVSolutions®, NVDrive®, MatDrive®, ORBIGate® are trademarks of OROS SA.



OROS Headquarters
23 chemin des pres
Inovallee 4403
F-38944 Meylan Cedex

Tel: +33.811.70.62.36
Fax: +33.476.90.51.37
Mail: info@oros.com
Web: www.oros.com

French Sales Office
Tel: +33.169.91.43.00
Fax: +33.169.91.29.40
Mail: info@orosfrance.fr
Web: www.oros.fr

OROS China
Tel: +86.10.59892134
Fax: +86.10.59892135
Mail: info@oroschina.com
Web: www.oroschina.com

OROS GmbH
Tel: +49.261.133.96.50
Fax: +49.261.133.96.49
Mail: info@oros-deutschland.com
Web: www.oros-deutschland.com

OROS Inc.
Tel: +1.888.200.0ROS
Tel: +1.703.478.3204
Fax: +1.703.478.3205
Mail: info@orosinc.com
Web: www.oros.com