

**“tough tech for tough environments“**

## **PA-R-340-7 servo-actuator**

### **data sheet - technical specifications**

#### **Supply data:**

Operating voltage: 18V - 32V  
Operating voltage typical: 28V  
Standby current: 40mA

#### **Input signal:**

PWM signal, TTL level (standard)  
PWM signal, differential (RS485 transceiver) (optional)  
or RS485 data protocol (optional)

#### **PWM parameter:**

Frame rate: 2,6 - 1000ms  
Valid pulse length: 1,0 - 2,0ms  
left / center / right: 1,0ms - 1,5ms - 2,0ms

#### **Position feedback:**

analog, differential: 0-5V  
Scale factor: 27.78 mV/deg.

#### **Performance data:**

Stall torque: > 1200Ncm (> 1420 oz-in.)  
Rated torque<sup>\*\*</sup>: 600Ncm (850 oz-in.)  
Speed at rated torque: 200°/sec.  
No load speed: 300°/sec.  
Gear train backlash: < 0,5°  
Travel angle: ± 90° (-5%)  
Maximum Travel angle (optional): ± 170° (-5%)  
Slip clutch lock out momentum: 1200Ncm (1420 oz-in.) +20%  
Peak current - short time: 6600mA  
Stall current - continuous: 1500mA (limited)  
Minimum detectable signal step: max 0,25µsec. (adjustable)  
Weight: 640g (23 oz)

<sup>\*\*</sup>according to specifications of Pegasus Actuators GmbH  
(please inquire the test-specifications)

#### **Environmental data:**

Axial load on output shaft < 100N  
Lateral load on output shaft < 300N  
Operating temperature: -40°C - +70°C (-40°F - +158°F)  
Storage temperature: -40°C - +80°C (-40°F - +176°F)

#### **Environmental specifications:**

Vibration test: IEC 68-2-6 / EN 60068-2-6  
Shock test: IEC 68-2-32  
Protection class: IP67



**“tough tech for tough environments“**

## **PA-R-340-7 servo-actuator**

### **data sheet - technical specifications**

#### **Main components:**

**Case:** IP67 water and dust protected with solid vertical and horizontal 4-point fixation.  
material: CNC machined aluminum, bead blasted and anodized.

**Gear train:** hardened steel spur gear type, 8 ball races with Overload clutch, output shaft with defined alignment.

**Motor:** Neodym-magnet BLDC motor, double ball raced.

**Amplifier:** digital positioning controller

#### **Sensor travel angle:**

mechanical: 360° (no end stops)

electrical - (standard):  $\pm 45^\circ$

electrical - (optional):  $\pm 160^\circ$

#### **Actuator connector:**

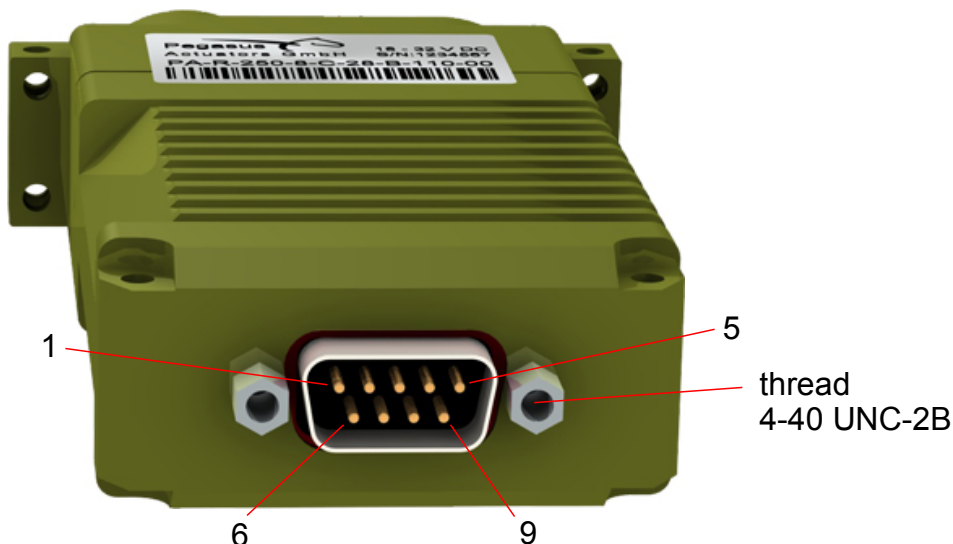
D -Sub male, 9-pin, IP 67

#### **Connector assignment PWM / TTL**

- 1 PWM signal input A
- 2 Not connected
- 3 Position feedback output A
- 4 Not connected
- 5 Case ground
- 6 Power input 18 - 32 volts (DC)
- 7 Power return
- 8 Not connected
- 9 Position feedback output B

#### **Connector assignment PWM / differential**

- 1 PWM signal input A
- 2 PWM signal input B
- 3 Position feedback output A
- 4 Not connected
- 5 Case ground
- 6 Power input 18 - 32 volts (DC)
- 7 Power return
- 8 Not connected
- 9 Position feedback output B

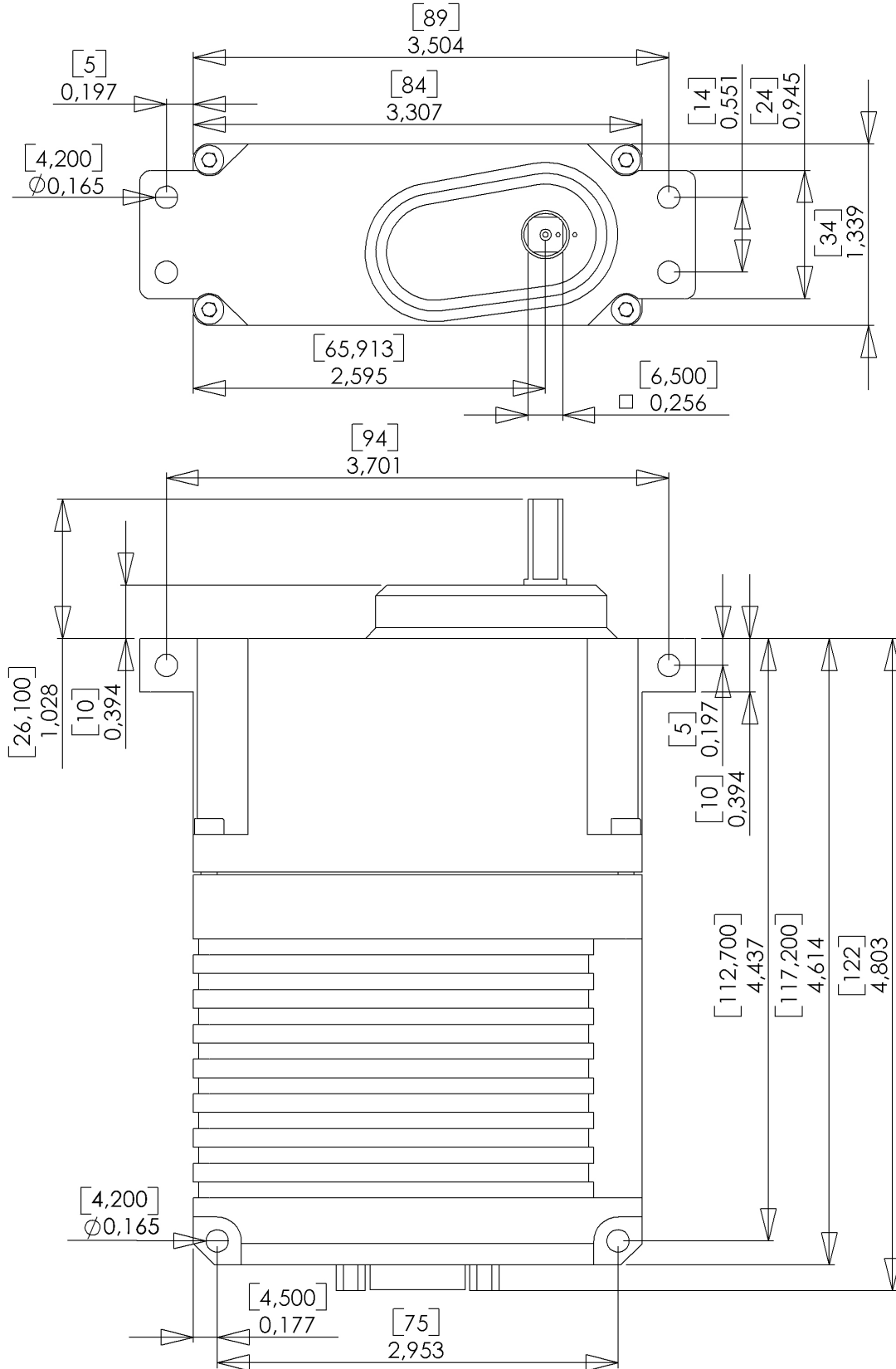


**“tough tech for tough environments”**

# PA-R-340-7 servo-actuator

**Pegasus**

Actuators GmbH



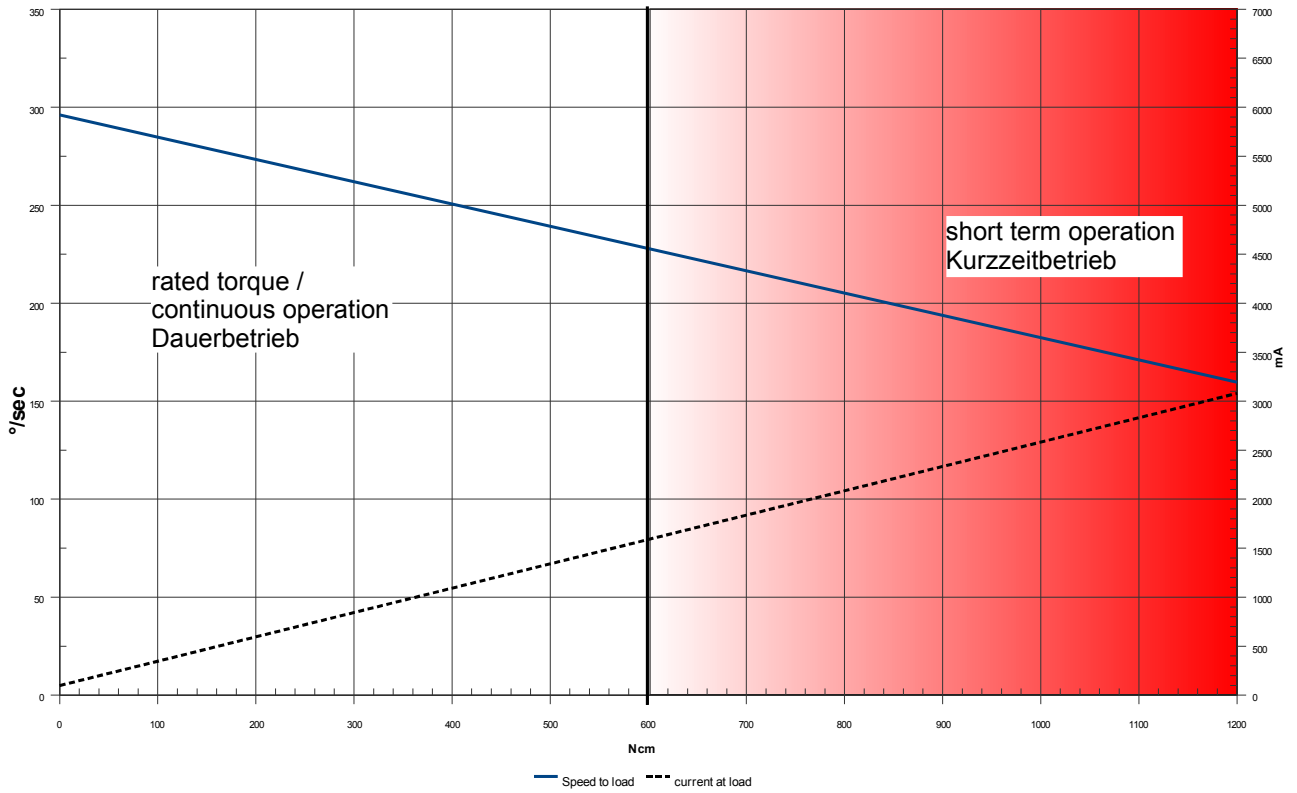
• dimensions are in: [mm] inch  
• scale 1:1,6

**“tough tech for tough environments“**

# PA-R-340-7 servo-actuator

**Pegasus**

Actuators GmbH



The overload protection limits the performance of the actuator during overload conditions.

Der Überlastschutz limitiert die Leistung des Aktuators während einer Überlastungssituation.

