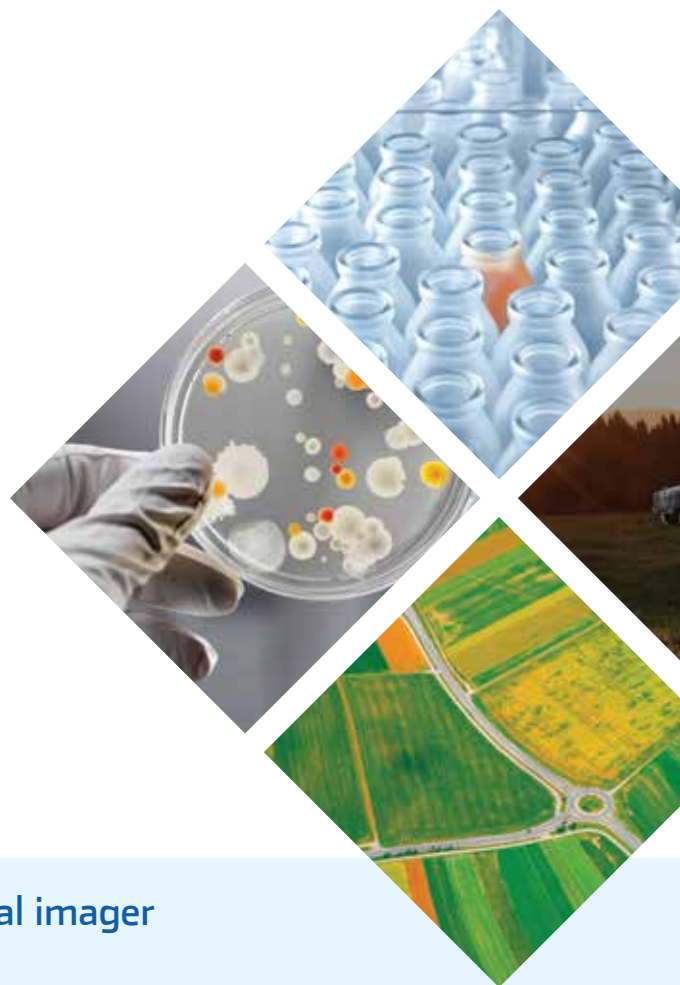


# SpectroCam™

Multispectral Camera | UV

PIXELTEQ

micro-patterned filters | sensors | cameras



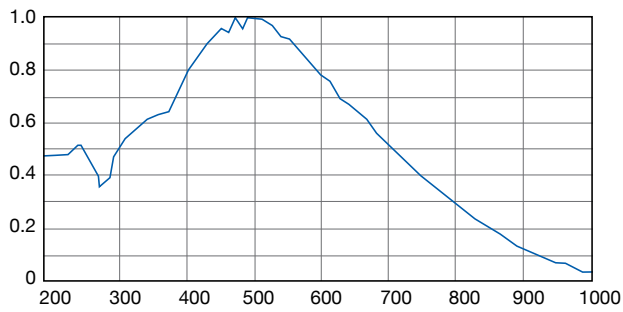
## Real-time 8-band multispectral imager 200-900nm

SpectroCam UV multispectral cameras deliver live processed images of 8 spectral bands in the 200-900nm wavelength range at full frame resolution and rates up to 15 frames per second (~2 stacks per second). Configure the SpectroCam UV for your application using standard and custom interchangeable optical filters for targeted ultraviolet (UV), visible (VIS), and near infrared (NIR) spectral bands. The SpectroCam UV camera incorporates a UV-enhanced CCD sensor sensitive between 200-900nm with 1392 x 1040 resolution.

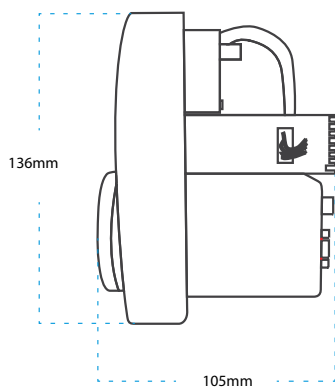
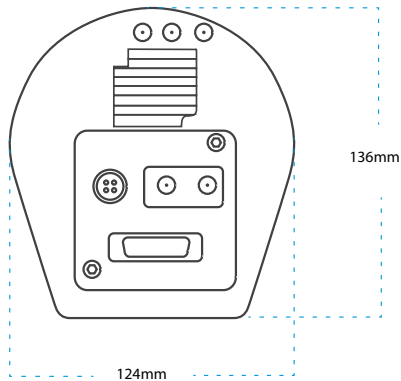
Fully functional out of the box, SpectroCam makes multispectral imaging accessible to any user – speeding the development and deployment of all kinds of multispectral applications. Capture live images within minutes using SpectroCam's included acquisition software to enhance contrast and see beyond human vision. Customized OEM multispectral engines provide easy modular integration into handheld optical devices and instrumentation.



## Spectral response



## Dimensions



## Summary

SpectroCam UV	
Spectral response	200-900nm (UV+VIS+NIR)
Sensor	CCD, UV-enhanced Si 1392 x 1040 px 4.65µm pixel pitch
Spectral bands	8
active area	6.4mm H x 4.8mm
Frame rate	up to 16 frames/sec
Optical interface	F mount standard, range of lenses available
Digital output	Gig-E, 8-10 bit
Dimensions	136mm H x 124mm W x 105mm D (5.4" H x 4.9"W x 4.1" D)

## Benefits

- 8 band live processed images
- Full frame resolution at up to 15 frames/second
- Interchangeable standard & custom spectral filters
- Intuitive acquisition software

## OEM Customization

- Application-specific multispectral engine
- Easy modular device integration
- Optimized spectral bands & imaging
- Proof of concept to high volume production

## Applications

SpectroCam is changing the way our clients look at...

- Forensic examination
- Currency authentication
- Art & archaeology
- Grain sorting
- Light microscopy
- Colorimetric assays
- Fingerprinting
- Crop health
- Machine vision
- Food grading
- Soil water content
- Fluorescence imaging

## Acquisition Software



Contact an Application Engineer to discuss your specific application.

+1.303.273.9700 (americas)  
+31 263831707 (europe)

+86.10.5126.1868 (china)  
+91.22.6708.0420 (india)

info@pixelteq.com  
pixelteq.com

