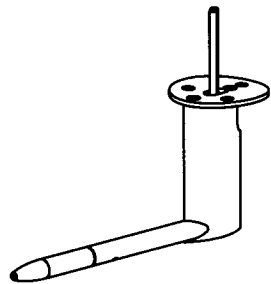
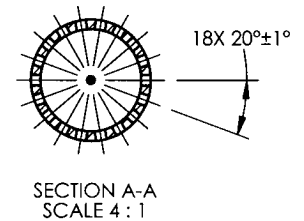
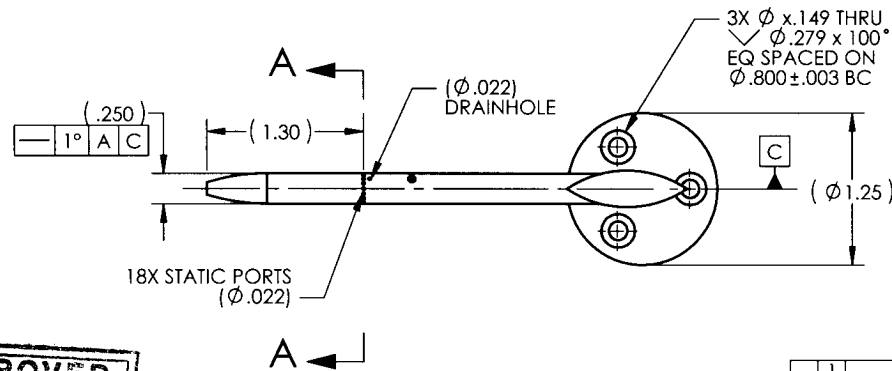
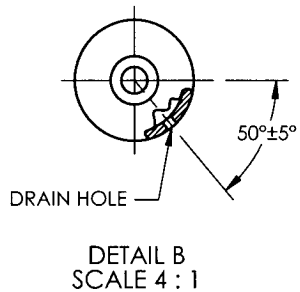
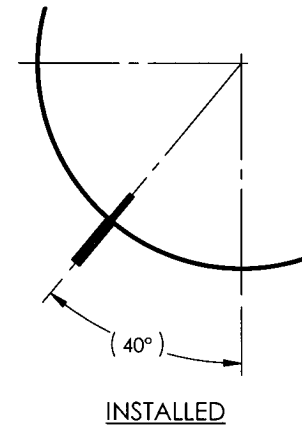
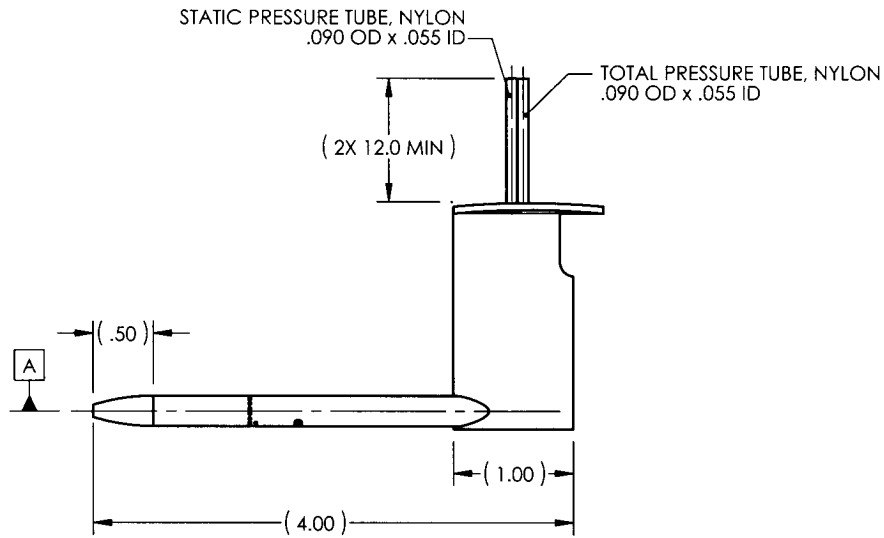
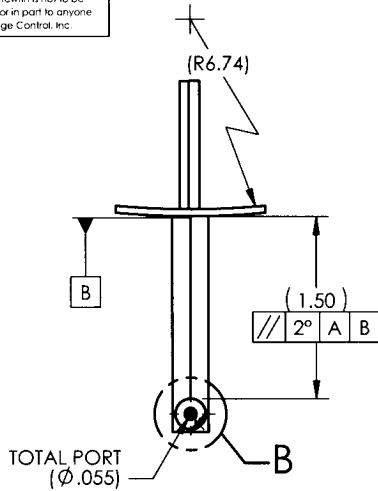


This drawing contains design and other information which is the property of SpaceAge Control, Inc. Except for rights expressly granted by contract to the United States Government, this drawing and data disclosed herein or herewith is not to be reproduced, used, or disclosed in whole or in part to anyone without the written permission of SpaceAge Control, Inc.

REVISIONS			
REV.	DESCRIPTION	DATE	APPROVED
A	PER ECO #0979	3-13-03	<i>[Signature]</i>



QTY REQ	CAGE CODE	PART OR IDENTIFYING NO.	NOMENCLATURE OR DESCRIPTION	MATERIAL SPECIFICATION	ITEM NO.
1		300933	PROBE	SST	—
PARTS LIST					
UNLESS OTHERWISE SPECIFIED DIMENSIONS ARE IN INCHES TOLERANCES ARE:					
DECIMALS		ANGLES			
X.X ± 0.03		X° ± 30			
X.XX ± 0.01					
X.XXX ± 0.005					
DO NOT SCALE DRAWING					
MATERIAL		PROJECT 119		SpaceAge Control, Inc.	
---		APPROVALS		DATE	
		S/O'MAHONEY		3-3-03	
		CHECKED		3-3-03	
		S/MCDANIEL		3-3-03	
		ENG		3-3-03	
		S/SIMPSON		3-3-03	
FINISH		DWG. NO.		REV.	
---		B 34851		A	
NEXT ASSY		SCALE		SHEET	
USED ON		1:1		OF 1	
APPLICATION		CAD FILE			
CAD GENERATED DRAWING DO NOT MANUALLY UPDATE					