

VBOX SPORT



VBOX Sport is a waterproof, battery powered, self-contained GPS data logger designed primarily to measure vehicle performance or lap-times. The unit can be used as a stand-alone logger, or connected to an iOS device via Bluetooth to see results in real time using free apps supplied by Racelogic.

The unit is very light weight and rugged, with an option of using an external antenna, which makes it also suitable for motorbikes, bicycles and backpacks.

An optional Herbert Richter mounting plate can be used to adapt the VBOX Sport to a large range of standard mounting accessories.



Features

- 20Hz GPS data logger
- Bluetooth interface to iPhone™ or iPad™
- SD card logging
- 6 hours+ internal rechargeable battery
- Internal or external GPS antenna
- Robust, waterproof, lightweight enclosure
- Herbert Richter mounting system
- Circuit Tools analysis software
- Free Performance Test iPhone App available from Apple App Store

March 2013

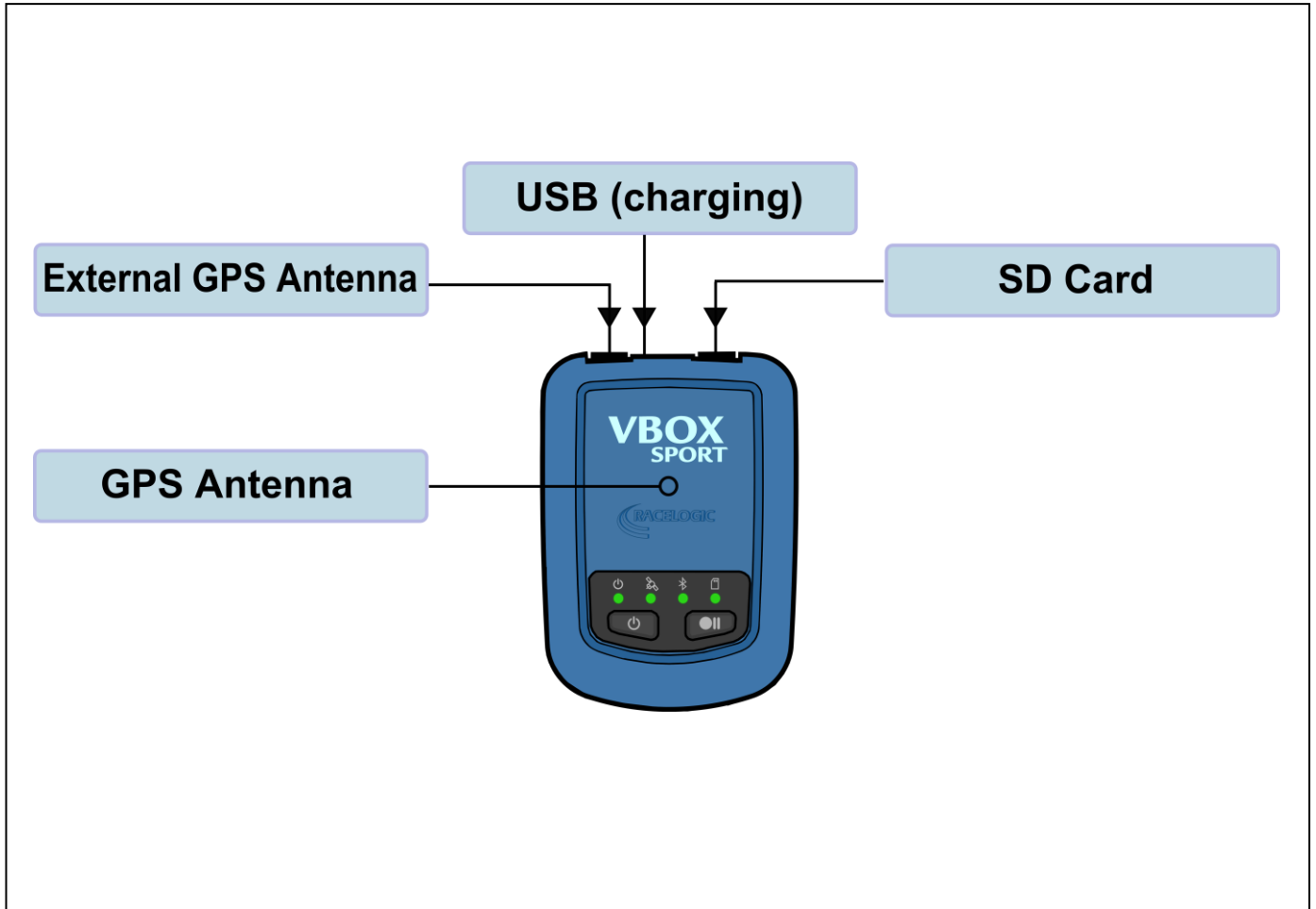
VBOX
MOTORSPORT

www.vboxmotorsport.co.uk

support@racelogic.co.uk

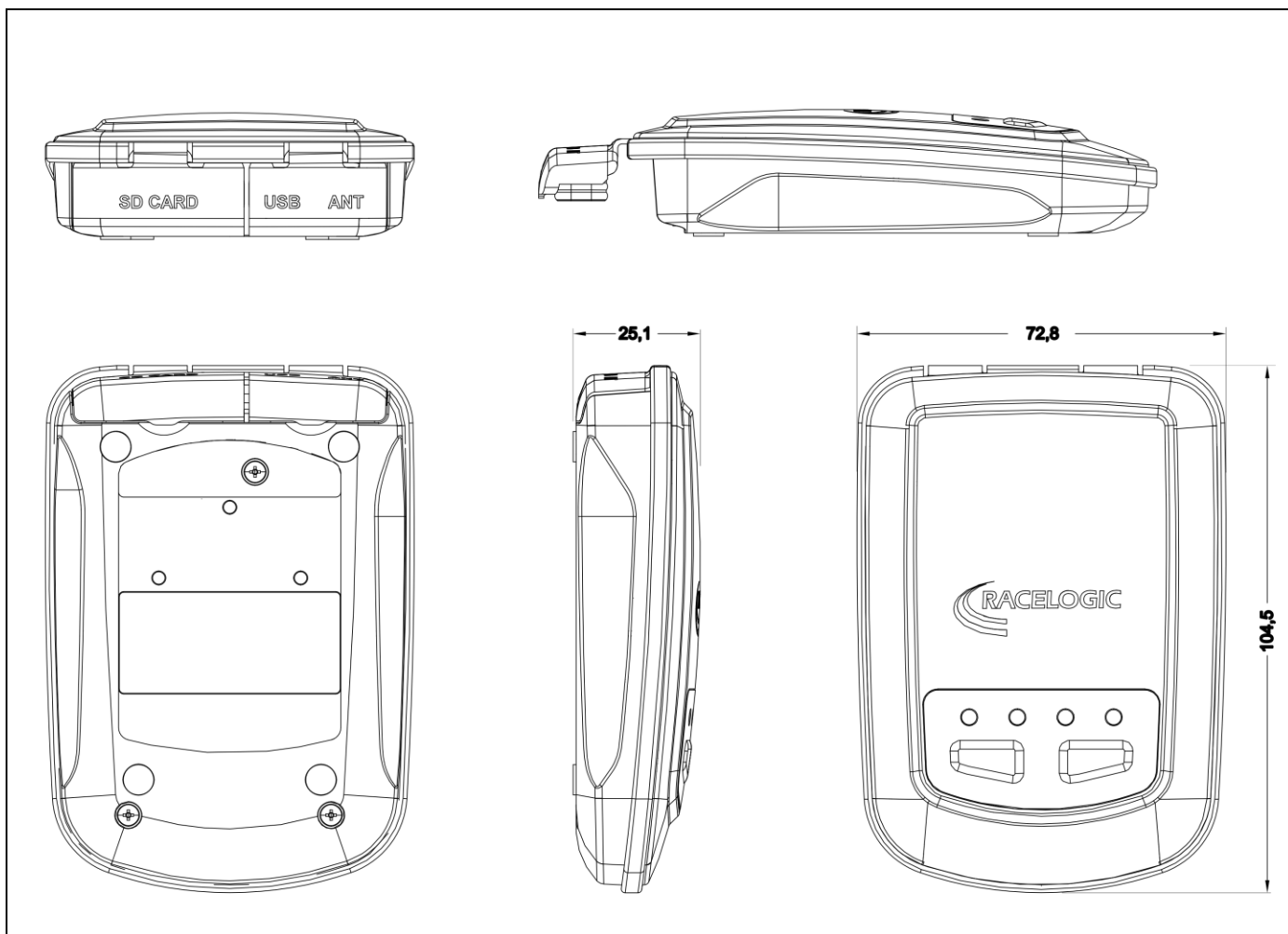


Inputs and Outputs



Inputs	Outputs
USB Battery charging/power only	SD Card 2Gb card supplied with device
External GPS Antenna (optional)	

VBOX SPORT



GPS Specifications (All data recorded at 20Hz)

Velocity		Position	
Accuracy	0.1 km/h	2D Position	5m 95% CEP *
Units	Km/h or MPH	Height	±5m
Update rate	20 Hz		
Maximum velocity	1800 km/h		
Minimum velocity	0.1 km/h		
Resolution	0.01 km/h		

Acceleration		Heading	
Accuracy	0.5%	Resolution	0.01°
Maximum	4g	Accuracy	±0.2°
Resolution	0.01g		

* CEP = Circle of Error Probable - 95% CEP means 95% of the time the position readings will fall within a circle of the stated radius

VBOX SPORT



Recording Options

Record only when moving (default); Record start/stop button.

SD Card Memory Usage

8.7 Megabytes/hour whilst logging.

Environmental and Physical

Environmental and Physical

Input	+5Volts only	Size	104.5 x 72.8 x 25.1 mm
Power	2.5W max (charging)	Weight	130g
Operating temperature	-20°C to +55°C 0°C to +45°C (whilst charging battery – charger will shut down outside this range)	Storage temperature	-20°C to +60°C (max limits) -20°C to +35°C (for maximum battery life)
IP rating	IP65 (with connector bungs fitted) IP20 (without connector bungs fitted)		

Software

Apple software – available from the Apple App Store

Racelogic Performance Test App

Racelogic Diagnostics App for VBOX Sport

Racelogic Laptimer App – Available Summer 2013

Windows software

Circuit Tools: Data analysis software

Support	
Hardware	One Year hardware warranty
Software	Lifetime Support Contract: Valid for a minimum of 5 years from the date of purchase and limited to the original purchaser. Contract includes: telephone/ email technical support provided by local VBOX Distributor and firmware/ software upgrades (where applicable).

Package Contents

Description	Product Code	Description	Product Code
1 x VBOX Sport	VBS01	1 x USB A- Micro B Lead 1.8m	RLCAB117
1 x 2GB SD Card	RLACS083	VBOX Sport Cigar Plug USB Adaptor	RLACS184



Edificio Antalla
Albasanz,16
28037 MADRID
Tel:91 567 97 00
Fax:91 570 26 61

Torre Mapfre-Vila Olimpica
Marina,16 - Planta 11-C2
08005 BARCELONA
Tel:93 459 42 50
Fax:93 459 42 62

www.alavaingenieros.com

alava@alava-ing.es

VBOX
MOTORSPORT

www.vboxmotorsport.co.uk

support@racelogic.co.uk