

AERON TI

Rugged pan/tilt camera with video and thermal zoom options

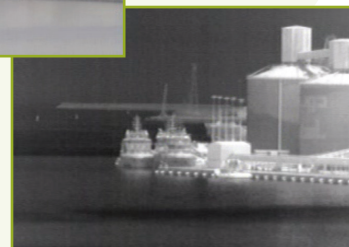
The Aeron TI is the perfect solution for long range surveillance applications, providing the best performance available within a marine grade rugged pan and tilt casing of this size.

The Aeron TI employs DRS' proven un-cooled of 320 x 240 (DA) and high resolution 640x480 (DB), 17µm VOx thermal imaging technologies to provide man detection up to 3.4 kilometres. The thermal utilises ICE to enhance contrast and features fixed or zoom lenses of 3x or 6x optical zoom, unique in a housing of this size. All models also offer simultaneous video verification provided by a 36x zoom module or a 30x HD zoom module.

The Aeron TI is fully housed within a hard anodised aluminium casing, fully rated to IP67 and ready to handle the harshest environments. The toughened, optically flat glass provides clear images, even at the highest zoom levels and can be kept clean at all times by the compact wiper unit. Optical encoders for both the pan and tilt axes provide highly accurate positioning and repeatability, allied with self correction.

Key features:

- HD and SD video option
- ICE - Image enhancement technology
- 640 and 320 resolution thermal cores
- Man detection up to 3.4km
- 3x and 6x motorized continuous thermal zoom
- Simultaneous video and thermal outputs
- Optical encoders providing positional feedback
- IP67 Environmental Protection (IP68 Option)
- 316L Stainless steel option
- Preset, tours and privacy masking
- Optically correct window with wiper
- IP and HD-SDI option



The Silent Sentinel Range

Silent Sentinel offer an extensive range of camera and lens configurations to meet your exact surveillance requirements.

Contact customer service for more information on our full range of products and bespoke design and build services.

Tel: + 44 (0)1992 558093

www.silentsentinel.com



OCULUS



AERON



OSIRIS



JAEGAR

AERON

Edificio Antalia
Albasanz, 16
28037 MADRID
Tel.91 567 97 00
Fax:91 570 26 61

www.alavaingenieros.com

Torre Mapfre-Vila Olímpica
Marina, 16 - Planta 11-C2
08005 BARCELONA
Tel.93 459 42 50
Fax:93 459 42 62

alava@alava-ing.es

Aeron standard thermal range

| Thermal cameras zoom | SD-RES | HI-RES | SD-RES | HI-RES | HI-RES | HI-RES |
|----------------------|--------------------------------|--------------------------------|--------------------------------|--------------------------------|--------------------------------|--------------------------------|
| Optical zoom | n/a | n/a | n/a | n/a | 3x | 6x |
| Sensor type | Uncooled VOx Microbolometer | Uncooled VOx Microbolometer | Uncooled VOx Microbolometer | Uncooled VOx Microbolometer | Uncooled VOx Microbolometer | Uncooled VOx Microbolometer |
| Pixel size | 17µ | 17µ | 17µ | 17µ | 17µ | 17µ |
| Spectral band | 8-14µm | 8-14µm | 8-14µm | 8-14µm | 8-14µm | 8-14µm |
| Thermal sensitivity | <50mK | <50mK | <50mK | <50mK | <50mK | <50mK |
| Array format | 320x240 | 640x480 | 320x240 | 640x480 | 640x480 | 640x480 |
| Frame rates | 9Hz, 25Hz | 9Hz, 25Hz | 9Hz, 25Hz | 9Hz, 25Hz | 9Hz, 25Hz | 9Hz, 25Hz |
| Image control | White hot, Black hot, Invert | White hot, Black hot, Invert | White hot, Black hot, Invert | White hot, Black hot, Invert | White hot, Black hot, Invert | White hot, Black hot, Invert |
| Focus | Fixed, preset, Athermalised | Fixed, preset, Athermalised | Fixed, preset, Athermalised | Fixed, preset, Athermalised | Fixed, preset, Athermalised | Fixed, preset, Athermalised |
| Zoom | E-zoom 1-4, Region of interest | E-zoom 1-4, Region of interest | E-zoom 1-4, Region of interest | E-zoom 1-4, Region of interest | E-zoom 1-4, Region of interest | E-zoom 1-4, Region of interest |
| FOV | 5° - 65mm f1.6 | 9° - 65mm f1.6 | 3° - 100mm f1.6 | 6° - 100mm f1.6 | 5.9° - 18° 35-105mm f1.6 | 6.2° - 42° 15-100mm f1.4 |
| Video output | Composite | Composite | Composite | Composite | Composite | Composite |

Aeron standard video range

| Video cameras | SD | HD |
|------------------------------|----------------------------------|------------------------------------|
| Part no. | PYK40XB | IYJ30XB |
| Optical zoom | 40x | 30x |
| Digital enlargement | 12x (480x combined) | 12x (360x with optical zoom) |
| Image sensors | 1/4" Super HAD CCD II | 1/2.8" type Exmor CMOS sensor |
| Resolution | 670TVL | Approx 3.27 million |
| Signal system | PAL | HD: 1080p/SD:NTSC/PAL |
| Lens (wide to tele) | F=3.06mm to 122.4mm F1.6 to F4.6 | f=4.3mm to 129.0mm, F1.6 to F4.7 |
| Angle of view – horizontal | 60.° (W) to 1.6° (T) | 54.1° (W) to 2.9° (T) |
| Minimum illumination (50IRE) | 0.6lux Colour, 0.01lux Mono | 1.7 lux, 0.5 lux in high sens mode |
| Video output | Composite | HD-SDI (IP option) |

Mechanical specifications

| | | |
|--|---|--------------------------|
| Construction | Die-cast hard anodised, powder coated aluminium with A4 stainless fittings | |
| Turning diameter | Normal 220mm / 8.66" | Offset 370mm / 14.57" |
| Height | 370mm / 14.57" | 340mm / 13.38" |
| Height with adaptor | 500mm / 19.68" | 470mm / 18.50" |
| Pan rotation limit / speed | 360° continuous / 180° per second (excluding ramping) | |
| Tilt rotation limit / speed | +90° to -30° upright (-60° inclined) +30° to -90° inverted 180° per second (excluding ramping) | |
| Weight (with adaptor) | 9.3Kg (10.3Kg) 20.70lb (22.90lb) | |
| Mounting profile | Upright or inverted | |
| Pan/tilt bearings | Sealed for life – no maintenance required | |
| Motor drive | Long life toothed polypropylene belt drive Pulleys bonded to keypad shafts for minimum backlash | |
| Environmental rating | IP67 | |
| Operating temperature range (ambient, dry) | -20°C to +60°C (-40°C to +60°C with optional heater) -4°F to +140°F (-40°F to +140°F with optional heater) | |
| Mounting | 4" PCD mount | |
| Connection lead | IP67 Neptune multi-way connector with 10m composite lead | |

Electrical, electronic and software specifications

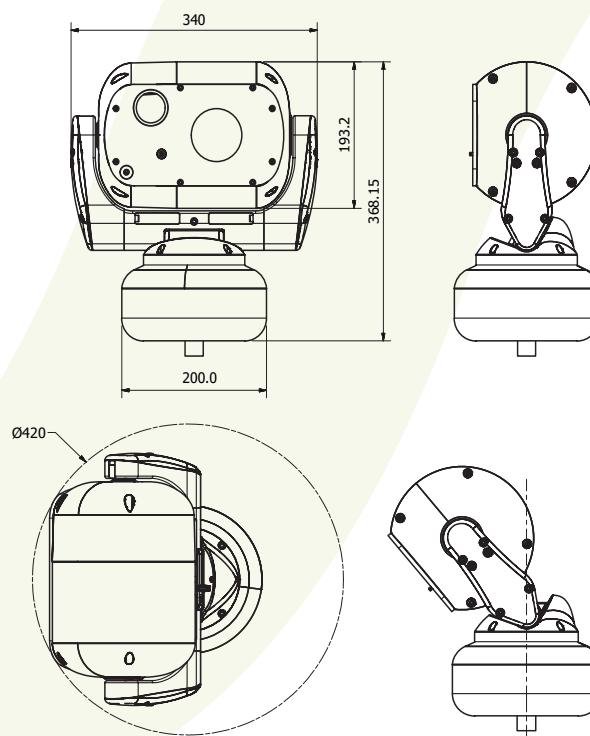
| | |
|---------------------------------|---|
| Optical encoder preset accuracy | 0.01° |
| Rotational contacts | Heavy duty slip rings for power, data, video, switching for washer |
| Position control | "Capable of retaining position without drift, Automatic position recovery if forced away by a "non-control" intervention" |
| Roll around mode | Auto 180° pan spin when tilt reaches end of travel while following subjects |
| Configuration | Via on screen menus |
| Presets | 127 + wash preset (repeatability 0.05°) |
| Tours | 16 preset tours (maximum of 60 positions each), four 8 minute mimic tours |
| Privacy zones | Maximum of eight on-screen simultaneously |
| Communications | Coaxial or RS485 half duplex data comms with absolute positioning output |
| Supported protocols | Pelco-D, Pelco-P, CBC OCP485, Forward vision mic1 FV300, Philips, Vicon. |
| Power requirements | "At Oculus unit: 14 to 36VDC or 14 to 26VAC, 45W peak (100W with optional heater) supplied PSU requires 230VAC. 12VDC support on some models" |
| Additional details | In-built real-time clock |

Ordering Information

| Product code | Product description |
|--------------------------|--|
| RC4-51PYK40X-DA04FB | Aeron PT Thermal/Video, 5° (65mm) 320x240 25Hz plus 40:1 Sony Video, Black |
| RC4-51PYK40X-DA03FB | Aeron PT Thermal/Video, 3° (100mm) 320x240 25Hz plus 40:1 Sony Video, Black |
| RC4-51PYK40X-DB09FB | Aeron PT Thermal/Video, 9° (65mm) 640x480 25Hz plus 40:1 Sony Video, Black |
| RC4-51PYK40X-DB06FB | Aeron PT Thermal/Video, 6° (100mm) 640x480 25Hz plus 40:1 Sony Video, Black |
| RC4-51PYK40X-DB15Z100FB | Aeron PT Thermal/Video, 6.2° - 4.2.2° Zoom (15-100mm) 640x480 25Hz plus, Black |
| RC4-51PYK40X-DB35Z100FB | Aeron PT Thermal/Video, 5.9° - 18° Zoom (35-100mm) 640x480 25Hz plus, Black |
| RC4-51HYJ30X-DA04FB* | Aeron PT Thermal/Video, 5° (65mm) 320x240 25Hz plus HD 30:1 HD-SDI Sony Video, Black |
| RC4-51HYJ30X-DA03FB* | Aeron PT Thermal/Video, 3° (100mm) 320x240 25Hz plus HD 30:1 HD-SDI Sony Video, Black |
| RC4-51HYJ30X-DB09FB* | Aeron PT Thermal/Video, 9° (65mm) 640x480 25Hz plus HD 30:1 HD-SDI Sony Video, Black |
| RC4-51HYJ30X-DB06FB* | Aeron PT Thermal/Video, 6° (100mm) 640x480 25Hz plus HD 30:1 HD-SDI Sony Video, Black |
| RC4-51HYJ30X-DB15Z100FB* | Aeron PT Thermal/Video, 6.2° - 4.2.2° Zoom (15-100mm) 640x480 25Hz plus HD 30:1 HD-SDI Sony Video, Black |
| RC4-51HYJ30X-DB35Z100FB* | Aeron PT Thermal/Video, 5.9° - 18° Zoom (35-100mm) 640x480 25Hz plus HD 30:1 HD-SDI Sony Video, Black |

*IP option available. Note: Also available in White and Stainless steel. Change "B" at the end of the product code to "W" or "SS"

Dimensions (in millimeters)



Designed and manufactured in the UK.

Specifications may be subject to change without notice • DN170714 - 1.1c • © 2014

