

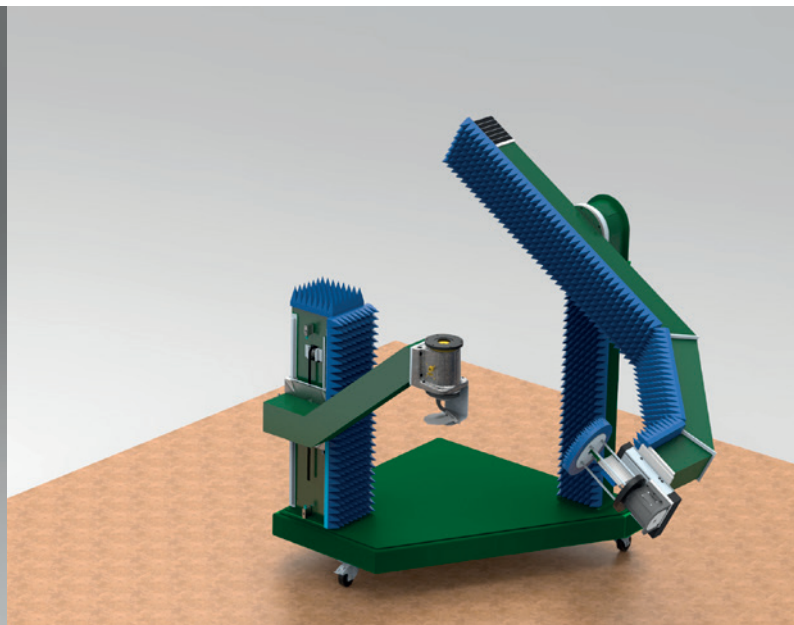
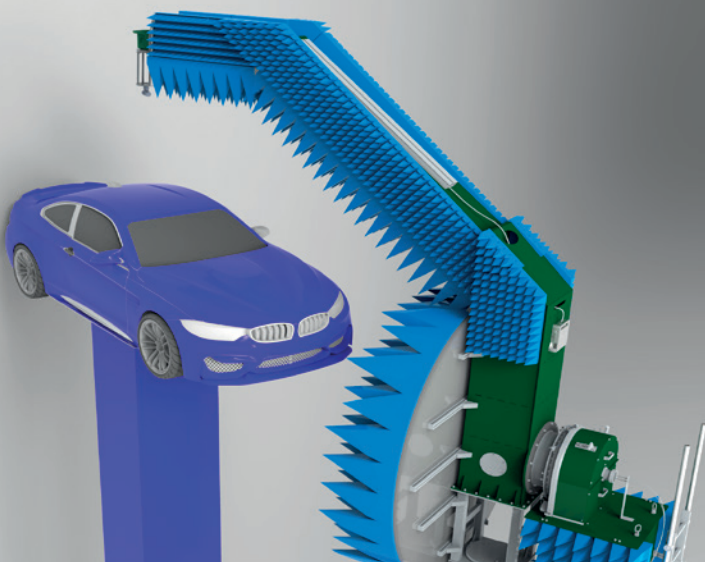


ASY-(SNF\FF)-GA Series Spherical Near-Field Far-Field Measurement Systems (Gantry over Azimuth)

sales@asysol.com



- **ASYSOL Gantry Arm Systems** feature high-precision, backlash free EL-positioners. They comprise a lightweight arm structure with ultra-high rigidity and are available in radius sizes from 0.5m to 6m. The probe AUT distance is automatically compensated to maintain a constant radius.
- ASYSOL utilises industry standard brushless motors with distributed driver electronics and real-time control, delivering results of the highest speed and shortest acquisition time. The system comprises of RF connectors, rotary joints and internal RF wiring as standard.
- The 'Plug-and-Play' concept makes for a user-friendly experience.
- ASYSOL provides on-site installation with laser alignment of the azimuth rotator. The ASY-GA Series is supplied with a test and calibration report, user manuals and documentation.
- Applications:
 - Wireless and automotive test measurements



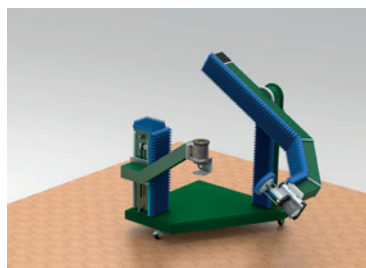
Antenna positioner [deg]	Azimuth, continuous 360° rotation
Gantry Probe positioner	Anti-backlash EL-Positioner (twin motor) with optimised gantry structure. Roll over radial slide lined with anechoic absorbers
Motors	Robotic AC brushless servo motors. Integrated absolute encoders
Max DUT diameter [m]	8 depending on specific design
Max DUT mass [tonne]	75 depending on specific design
Angular accuracy [deg]	Azimuth: 0.02; Roll, Polarisation: 0.03
Repeatability, Az, Roll, Pol [deg]	0.01
Resolution, Az, Roll, Pol [deg]	0.001
Rotation speed [RPM]	Azimuth: up to 4. Roll, Polarisation: up to 10
Position controller	Simultaneous control of up to 16 axes, simultaneous display of 8 axes, supporting stepper and servo motors, incremental and absolute encoders. Includes wireless Local Control Unit
Workstation	Standard PC with large LCD display
Software	ASYSOFT: company proprietary data acquisition and analysis software. Includes spherical NF-FF transformation based on SNIFTD from TICRA
Probes	Set of single or dual-polarised probes covering standard waveguide bands
Standard Gain Horns	Set of calibrated SGHs covering standard waveguide bands
Cables, rotary joints, amplifiers	3 rotary joints, set of RF cables, necessary RF amplifiers, up to 18/26/40/50/67 GHz depending on the desired upper frequency
Antenna control	Slip rings with 12 lines for control and power supply
Supported VNA manufacturers	Keysight Technologies, Rohde & Schwarz and Anritsu

Options:

- Dual-channel RF wiring and rotary joints
- High accuracy options with 0.005° accuracy
- Custom slip-ring and rotary joint options including fluidic slip-rings
- Large, custom turntables including a dynamometer option
- Integrated slide and lift options
- Styrofoam columns for low-scatter AUT support
- Ground-plane options including underground storage of large gantry arms
- Custom AUT handling options, including rail-based or air-cushion based trolleys



Gantry arm integrated in a combined NF/FF automotive test range



Gantry arm integrated in a movable SNF minilab



Gantry arm tip with ROLL-positioner ASY-RL-200 and radial slide

Ver032018

 **Álava Ingenieros**
GRUPO ÁLAVA

Edificio Antalia. Albasanz 16. 28037 Madrid

+34 91 567 97 00 | alavaingenieros.com | alava@grupoalava.com
Madrid | Barcelona | Zaragoza | Lisboa | Lima | Quito | Texas

Antenna Systems Solutions S.L.

Albert Einstein 12
39011 Santander
Cantabria, Spain

 sales@asysol.com

 +44 8700 555 010

 www.asysol.com

 **ANTENNA**
Systems Solutions

A CELESTIA TECHNOLOGIES GROUP COMPANY 