

New Product

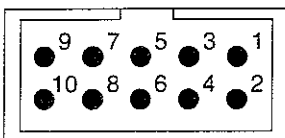
DIGITAL PROTRACTOR Pro 360 and Pro 3600

These Digital Protractors present measured values on an easy-to-read liquid crystal display. The measurements are generated by an electronic gravity sensor and processed by the latest low-power electronic circuit technology.

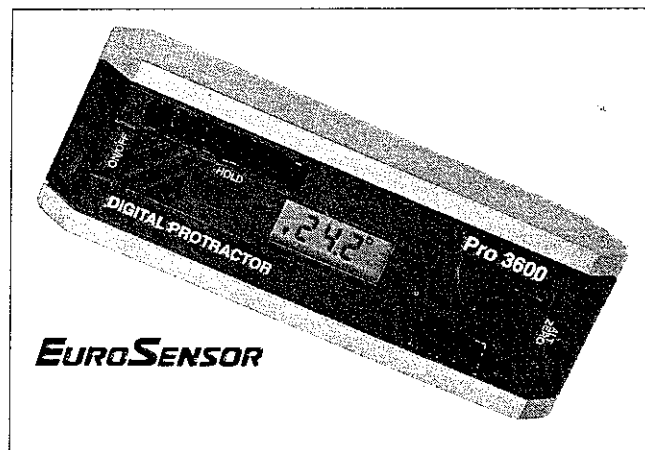
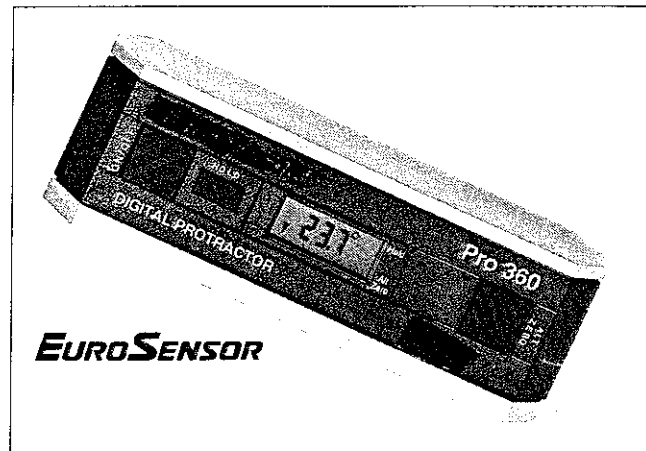
FEATURES

- Full 360° range (90° x 4).
- Machined aluminum frame.
- Alternate reference (zero).
- Reading hold.
- Simple calibration requiring no special fixtures.
- Display remains upright to view at all angles.
- SPC output.

PIN ASSIGNMENTS



Pin No.	Signal	I/O	Description
1	GND	N/A	Signal ground
2	TD	Output	Transmits serial data bits (9600 baud, one stop bit, no parity)
5	REQ	Input	RS-232 Input; high signal requests data output
9	BATT+	Either	Power input, or output if battery is installed in Protractor
3,4, 6-8,10			Unused

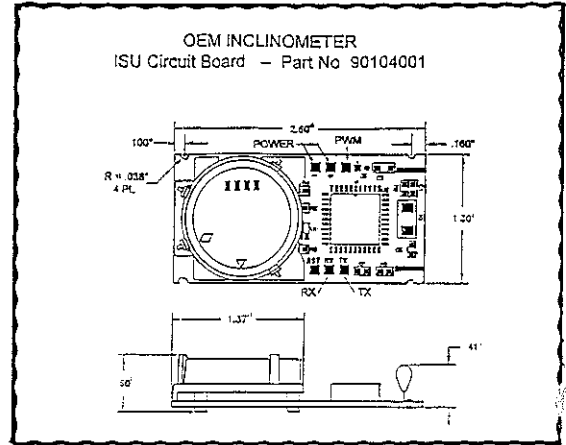
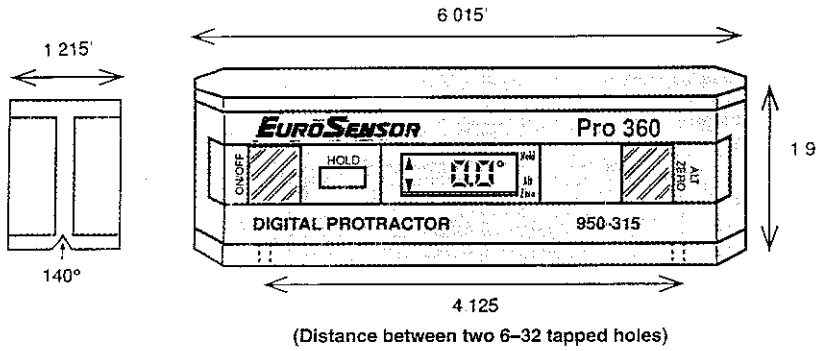


Order No.	Description
PRO-360	Digital Protractor Pro 360
PRO-3600	Digital Protractor Pro 3600 with SPC (RS-232C) output

NewProduct

DIGITAL PROTRACTOR Pro 360 and Pro 3600

DIMENSIONS



SPECIFICATION

Model	Pro 360	Pro 3600
Range	360° (90°x4)	360° (90°x4)
Resolution	0.1°	0.01° (0° to 9.99°) 0.1° (10° to 90°)
Accuracy	± 0.1° Level ± 10°, Plumb ± 10° ± 0.2° Maximum error	± 0.05° (0° to 10°) ± 0.1 (80° to 90°) ± 0.2° (10° to 80°)
Repeatability	±0.1°	±0.05°
Cross Axis Error	Minimal	
Battery Life	500 Hrs. Standard 9-Volt Battery	
Temperature Operation	-5°C to 50°C (23°F to 122°F)	
Storage	-20°C to 65°C (-4°F to 149°F)	
Weight	289g (10.2oz.)	295g (10.4oz)
Output	N/A	RS-232C Compatible
Standard Accessories	Pouch	Plastic Box

± Represents clockwise or counter-clockwise slope.

DISTRIBUTED BY: