

“tough tech for tough environments“

PA-R-250-9 servo-actuator

Pegasus

Actuators GmbH

data sheet - technical specifications

Supply data:

Operating voltage: 18V - 32V

Operating voltage typical: 24V

Standby current: 40mA

Input signal:

PWM signal, TTL level (standard)

PWM signal, differential (RS485 transceiver) (optional)

or RS485 data protocol (optional)

PWM parameter:

Frame rate: 2,6 - 1000ms

Valid pulse length: 1,0 - 2,0ms

left / center / right: 1,0ms - 1,5ms - 2,0ms

Position feedback:

analog, differential: 0-5V

Scale factor: 27.78 mV/deg.

Performance data:

Stall torque: > 700Ncm (> 992 oz-in.)

Rated torque^{**}: 400Ncm (560 oz-in.)

Speed at rated torque: 135°/sec.

No load speed: 180°/sec.

Gear train backlash: < 0,5°

Travel angle: ± 90° (-5%)

Maximum travel angle (optional): ± 170° (-5%)

PA-SC lock out momentum: 700Ncm (992 oz-in.) +20%

Peak current - short time: 3300mA

Stall current - continuous: 900mA (limited)

Minimum detectable signal step: max 0,25µsec. (adjustable)

Weight: 335g (11,82 oz)



^{**}according to specifications of Pegasus Actuators GmbH
(please inquire the test-specifications)

Environmental data:

Axial load on output shaft: < 100N

Lateral load on output shaft: < 300N

Operating temperature: -40°C - +70°C (-40°F - +158°F)

Storage temperature: -40°C - +80°C (-40°F - +176°F)

Environmental specifications:

Vibration test: IEC 68-2-6 / EN 60068-2-6

Shock test: IEC 68-2-32

Protection class: IP67

“tough tech for tough environments“

PA-R-250-9 servo-actuator

data sheet - technical specifications

Main components:

Case: IP67 water and dust protected with solid vertical and horizontal 4-point fixation.
material: CNC machined aluminum, bead blasted and anodized.

Gear train: hardened steel spur gear type, 6 ball races with slip clutch output shaft, output shaft with defined alignment.

Motor: Neodym-magnet BLDC motor, double ball raced.

Amplifier: digital positioning controller

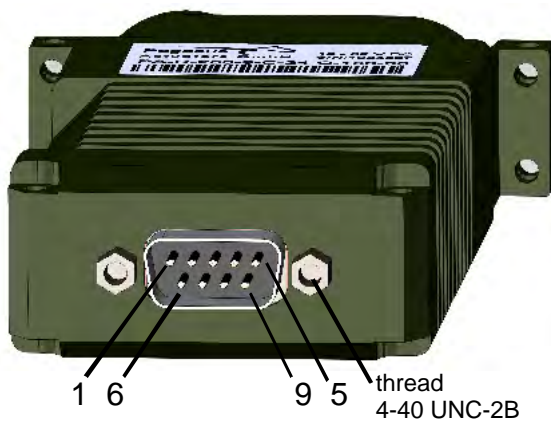
Sensor travel angle:

mechanical: 360° (no end stops)

electrical - (standard): $\pm 45^\circ$

electrical - (optional): $\pm 170^\circ$

Connector: D-Sub male, 9-pin, IP 67



Pin	PWM / TTL	PWM differential	RS485
1	Signal input A	Signal input A	Signal input A
2	NC	Signal input B	Signal input A
3	Pos. feedback A	Pos. feedback A	Pos. feedback A
4	NC	NC	NC
5	Case ground	Case ground	Case ground
6	Power input	Power input	Power input
7	Power return	Power return	Power return
8	NC	NC	NC
9	Pos. feedback B	Pos. feedback B	Pos. feedback B

Connector: Glenair Mighty Mouse Series 801, 7-pin, IP67



Pin	PWM / TTL	PWM differential	RS485
1	Signal input A	Signal input A	Signal input A
2	NC	Signal input B	Signal input A
3	Pos. feedback A	Pos. feedback A	Pos. feedback A
4	Power return	Power return	Power return
5	Case ground	Case ground	Case ground
6	Power input	Power input	Power input
7	Pos. feedback B	Pos. feedback B	Pos. feedback B

“tough tech for tough environments”

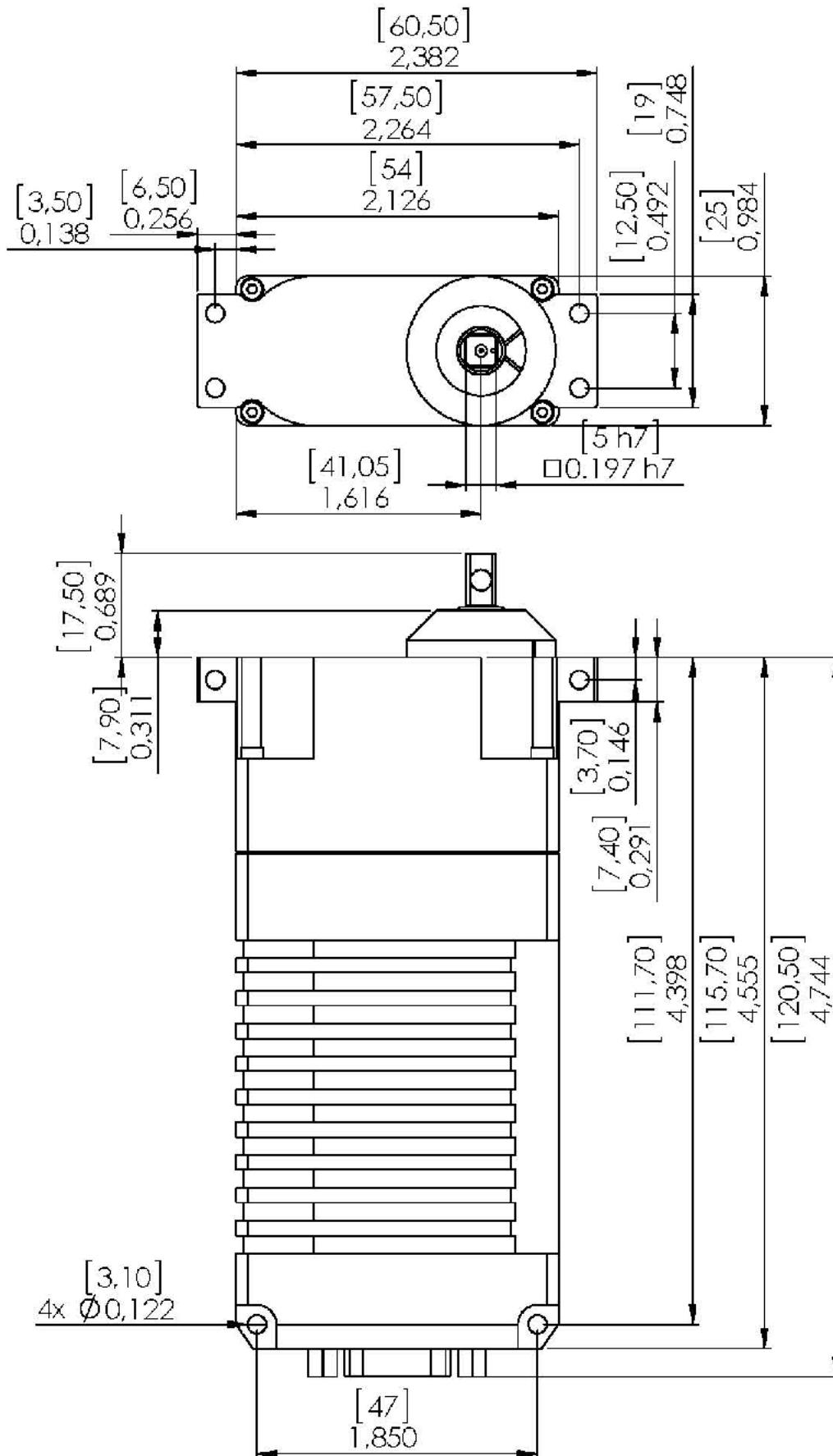
PA-R-250-9 servo-actuator

Pegasus

Actuators GmbH



PA-R-250-9 series with D-Sub connector



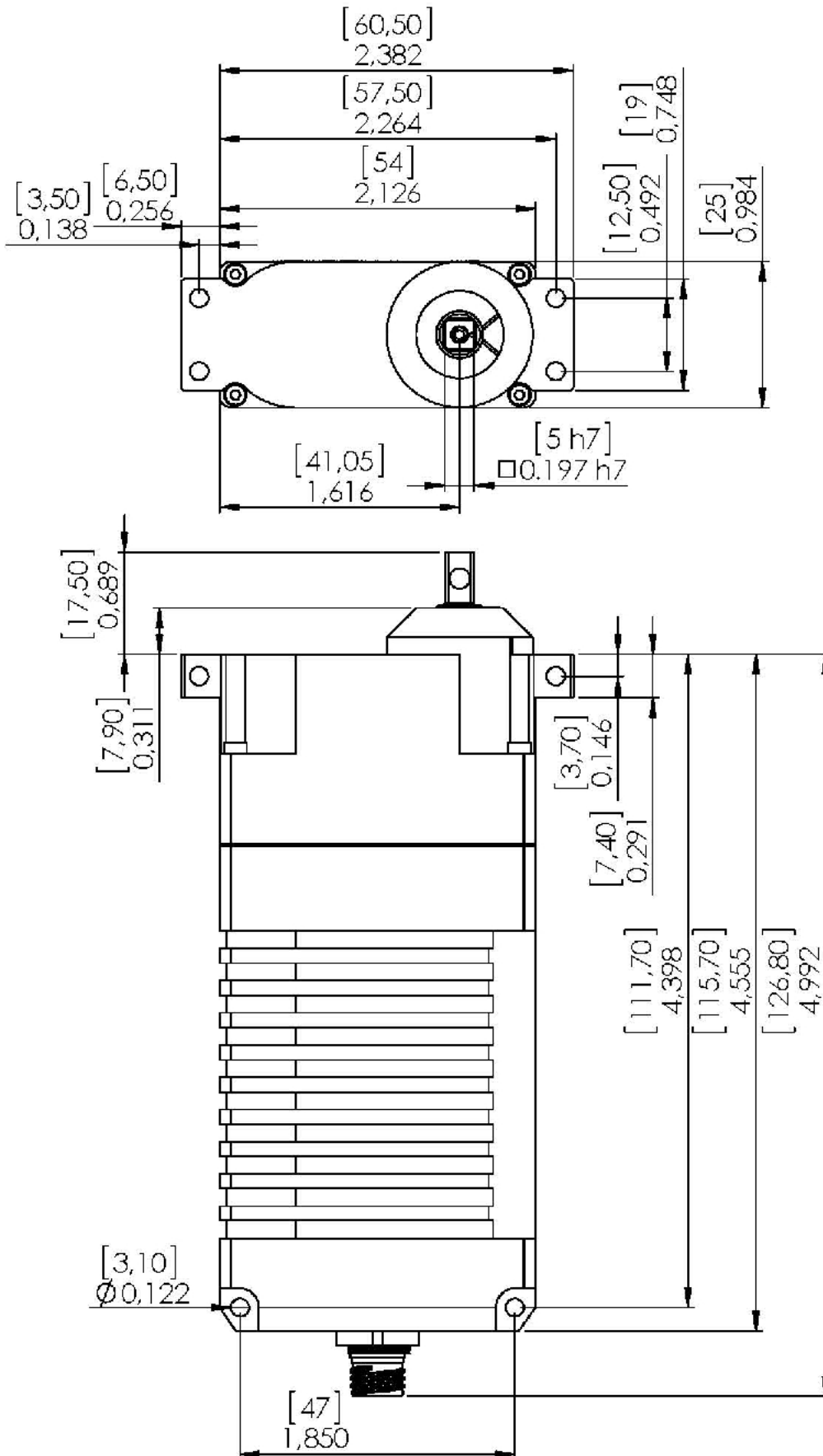
“tough tech for tough environments”

Pegasus

Actuators GmbH

PA-R-250-9 servo-actuator

PA-R-250-9 series with Glenair Mighty Mouse 801 connector



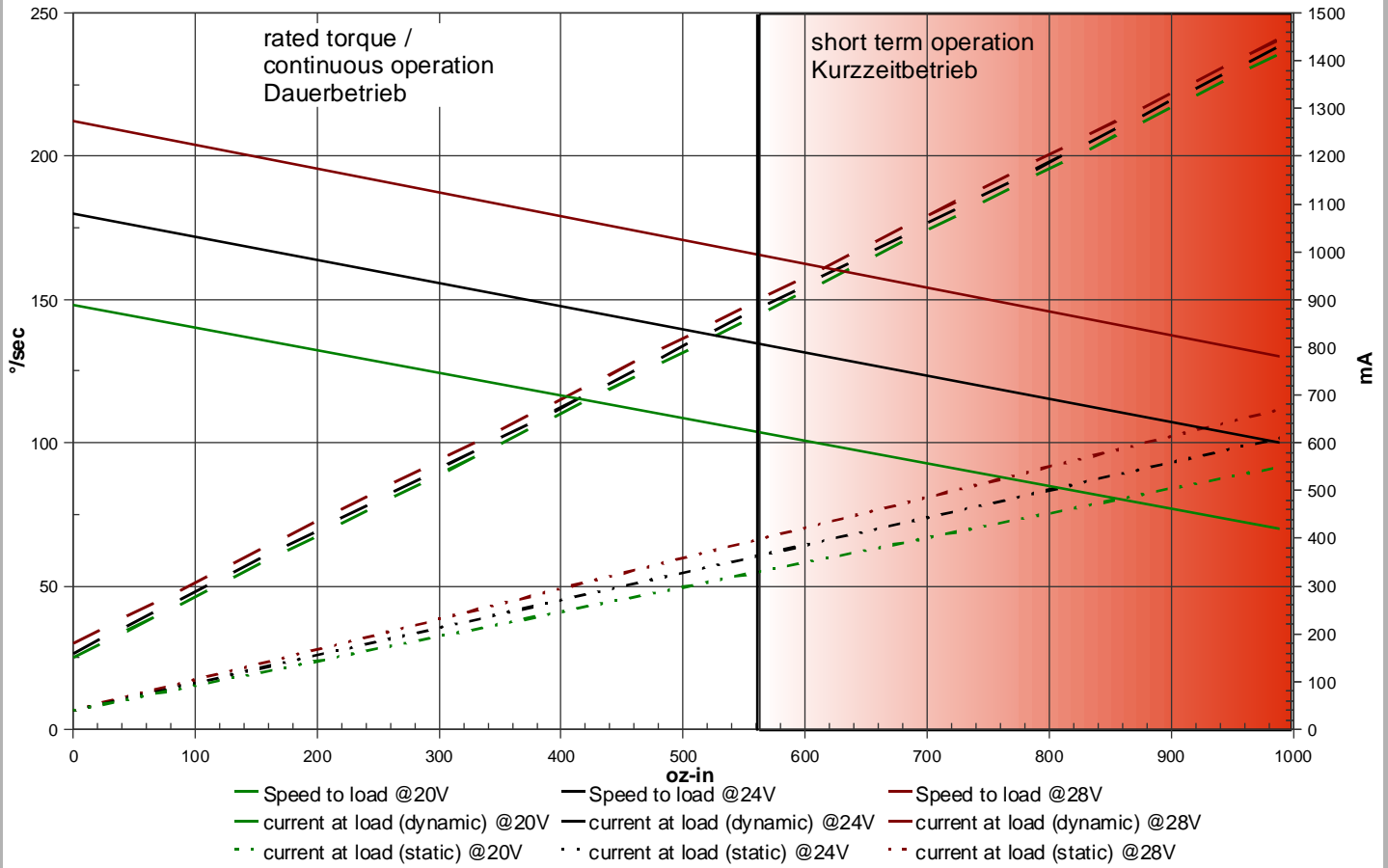
“tough tech for tough environments”

Pegasus



PA-R-250-9 servo-actuator

Actuators GmbH



The overload protection limits the performance of the actuator during overload conditions.

