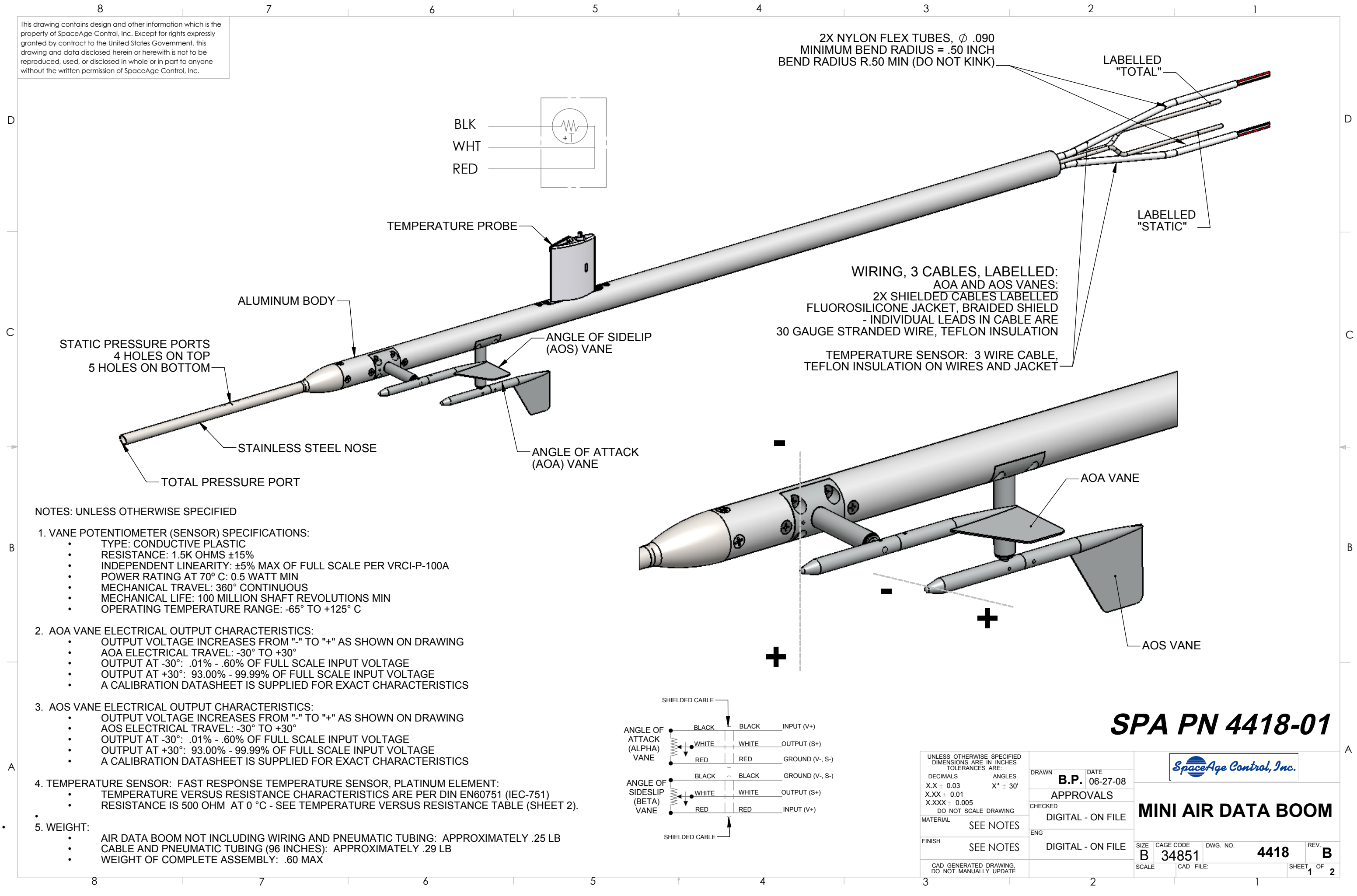


This drawing contains design and other information which is the property of SpaceAge Control, Inc. Except for rights expressly granted by contract to the United States Government, this drawing and data disclosed herein or herewith is not to be reproduced, used, or disclosed in whole or in part to anyone without the written permission of SpaceAge Control, Inc.



2X NYLON FLEX TUBES, ϕ .090
 MINIMUM BEND RADIUS = .50 INCH
 BEND RADIUS R.50 MIN (DO NOT KINK)

LABELLED
 "TOTAL"

LABELLED
 "STATIC"

WIRING, 3 CABLES, LABELLED:
 AOA AND AOS VANES:
 2X SHIELDED CABLES LABELLED
 FLUOROSILICONE JACKET, BRAIDED SHIELD
 - INDIVIDUAL LEADS IN CABLE ARE
 30 GAUGE STRANDED WIRE, TEFLON INSULATION

TEMPERATURE SENSOR: 3 WIRE CABLE,
 TEFLON INSULATION ON WIRES AND JACKET

STATIC PRESSURE PORTS
 4 HOLES ON TOP
 5 HOLES ON BOTTOM

ALUMINUM BODY

TEMPERATURE PROBE

ANGLE OF SIDESLIP
 (AOS) VANE

STAINLESS STEEL NOSE

ANGLE OF ATTACK
 (AOA) VANE

TOTAL PRESSURE PORT

AOA VANE

AOS VANE

NOTES: UNLESS OTHERWISE SPECIFIED

1. VANE POTENTIOMETER (SENSOR) SPECIFICATIONS:

- TYPE: CONDUCTIVE PLASTIC
- RESISTANCE: 1.5K OHMS \pm 15%
- INDEPENDENT LINEARITY: \pm 5% MAX OF FULL SCALE PER VRCI-P-100A
- POWER RATING AT 70° C: 0.5 WATT MIN
- MECHANICAL TRAVEL: 360° CONTINUOUS
- MECHANICAL LIFE: 100 MILLION SHAFT REVOLUTIONS MIN
- OPERATING TEMPERATURE RANGE: -65° TO +125° C

2. AOA VANE ELECTRICAL OUTPUT CHARACTERISTICS:

- OUTPUT VOLTAGE INCREASES FROM "-" TO "+" AS SHOWN ON DRAWING
- AOA ELECTRICAL TRAVEL: -30° TO +30°
- OUTPUT AT -30°: .01% - .60% OF FULL SCALE INPUT VOLTAGE
- OUTPUT AT +30°: 93.00% - 99.99% OF FULL SCALE INPUT VOLTAGE
- A CALIBRATION DATASHEET IS SUPPLIED FOR EXACT CHARACTERISTICS

3. AOS VANE ELECTRICAL OUTPUT CHARACTERISTICS:

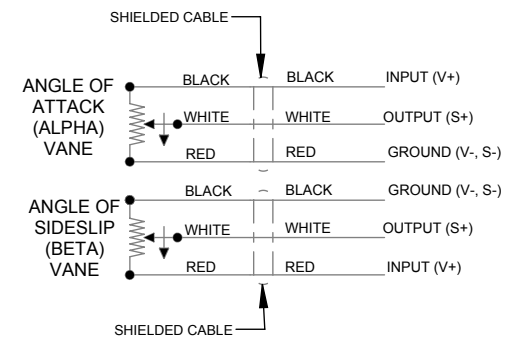
- OUTPUT VOLTAGE INCREASES FROM "-" TO "+" AS SHOWN ON DRAWING
- AOS ELECTRICAL TRAVEL: -30° TO +30°
- OUTPUT AT -30°: .01% - .60% OF FULL SCALE INPUT VOLTAGE
- OUTPUT AT +30°: 93.00% - 99.99% OF FULL SCALE INPUT VOLTAGE
- A CALIBRATION DATASHEET IS SUPPLIED FOR EXACT CHARACTERISTICS

4. TEMPERATURE SENSOR: FAST RESPONSE TEMPERATURE SENSOR, PLATINUM ELEMENT:

- TEMPERATURE VERSUS RESISTANCE CHARACTERISTICS ARE PER DIN EN60751 (IEC-751)
- RESISTANCE IS 500 OHM AT 0° C - SEE TEMPERATURE VERSUS RESISTANCE TABLE (SHEET 2).

5. WEIGHT:

- AIR DATA BOOM NOT INCLUDING WIRING AND PNEUMATIC TUBING: APPROXIMATELY .25 LB
- CABLE AND PNEUMATIC TUBING (96 INCHES): APPROXIMATELY .29 LB
- WEIGHT OF COMPLETE ASSEMBLY: .60 MAX



SPA PN 4418-01

UNLESS OTHERWISE SPECIFIED
 DIMENSIONS ARE IN INCHES
 TOLERANCES ARE:

DECIMALS	ANGLES
X.X \pm 0.03	X° \pm 30'
X.XX \pm 0.01	
X.XXX \pm 0.005	

DO NOT SCALE DRAWING

MATERIAL	SEE NOTES
FINISH	SEE NOTES
CAD GENERATED DRAWING, DO NOT MANUALLY UPDATE	

DRAWN	DATE
B.P.	06-27-08
APPROVALS	
CHECKED	DIGITAL - ON FILE
ENG	DIGITAL - ON FILE



MINI AIR DATA BOOM

SIZE	CAGE CODE	DWG. NO.	REV.
B	34851	4418	B
SCALE	CAD FILE:	SHEET	OF
		1	2

