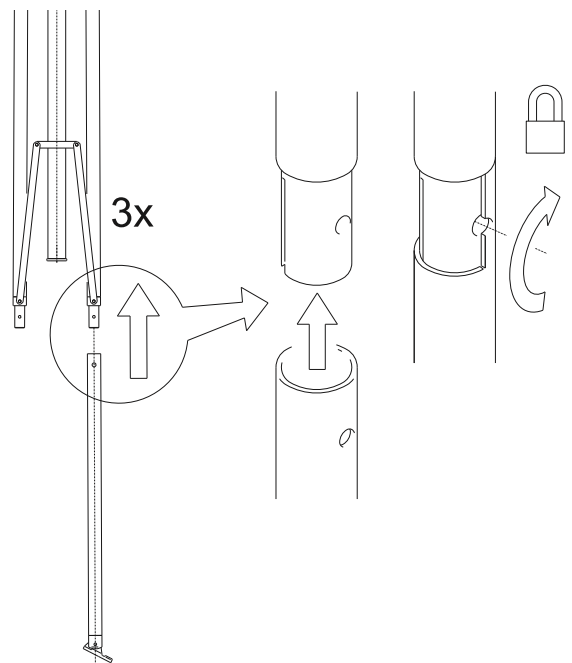
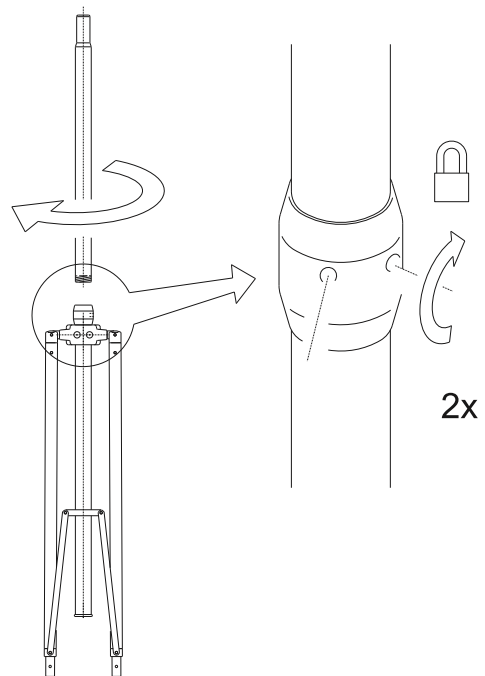
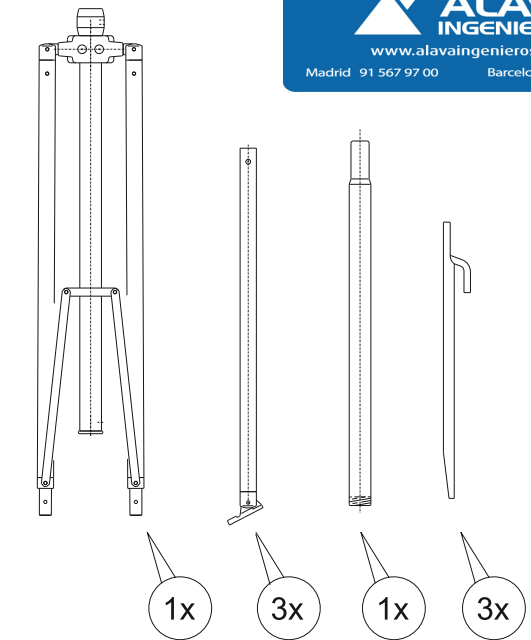
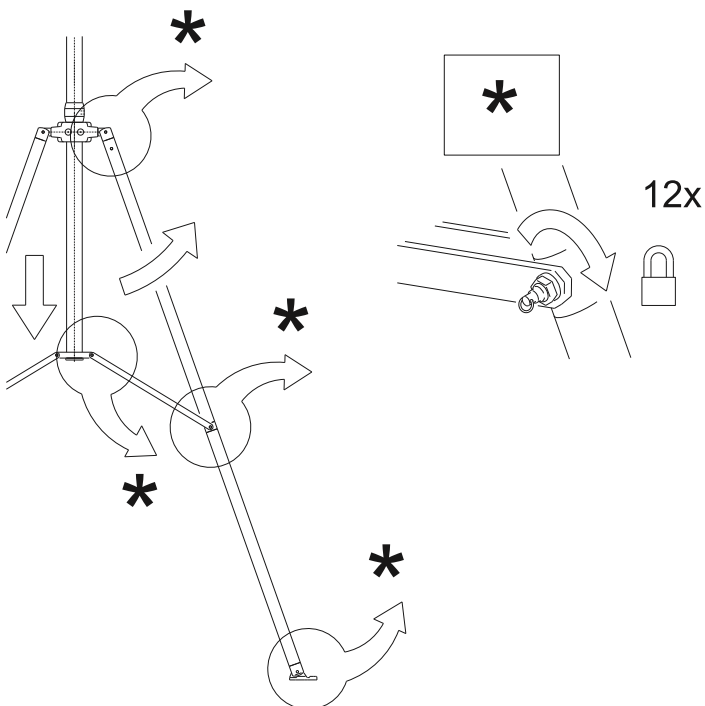
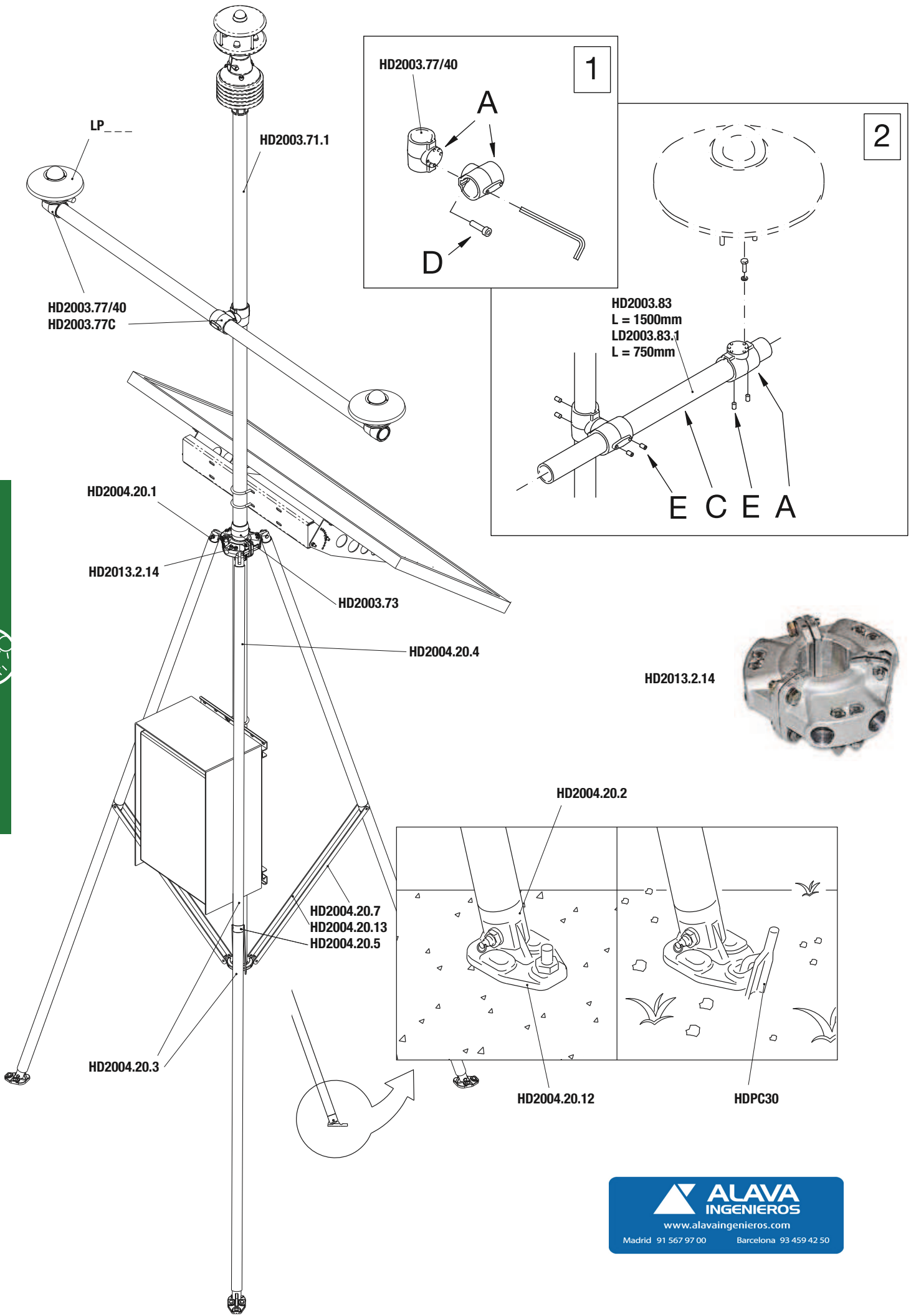


HD2004.20 TRIPOD
HD2004.22 BRACKET FOR SOLAR PANEL

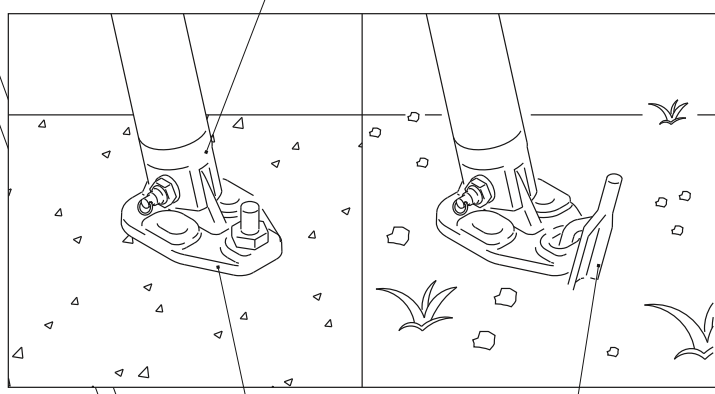
HD2004.20: Tripod kit for installing anemometers on a flat ground. Height 3m. Material: anodized aluminium.

HD2004.22: 1200x530x34mm Solar panel mounting kit to a Ø40-50mm pole. AISI 304 stainless steel.



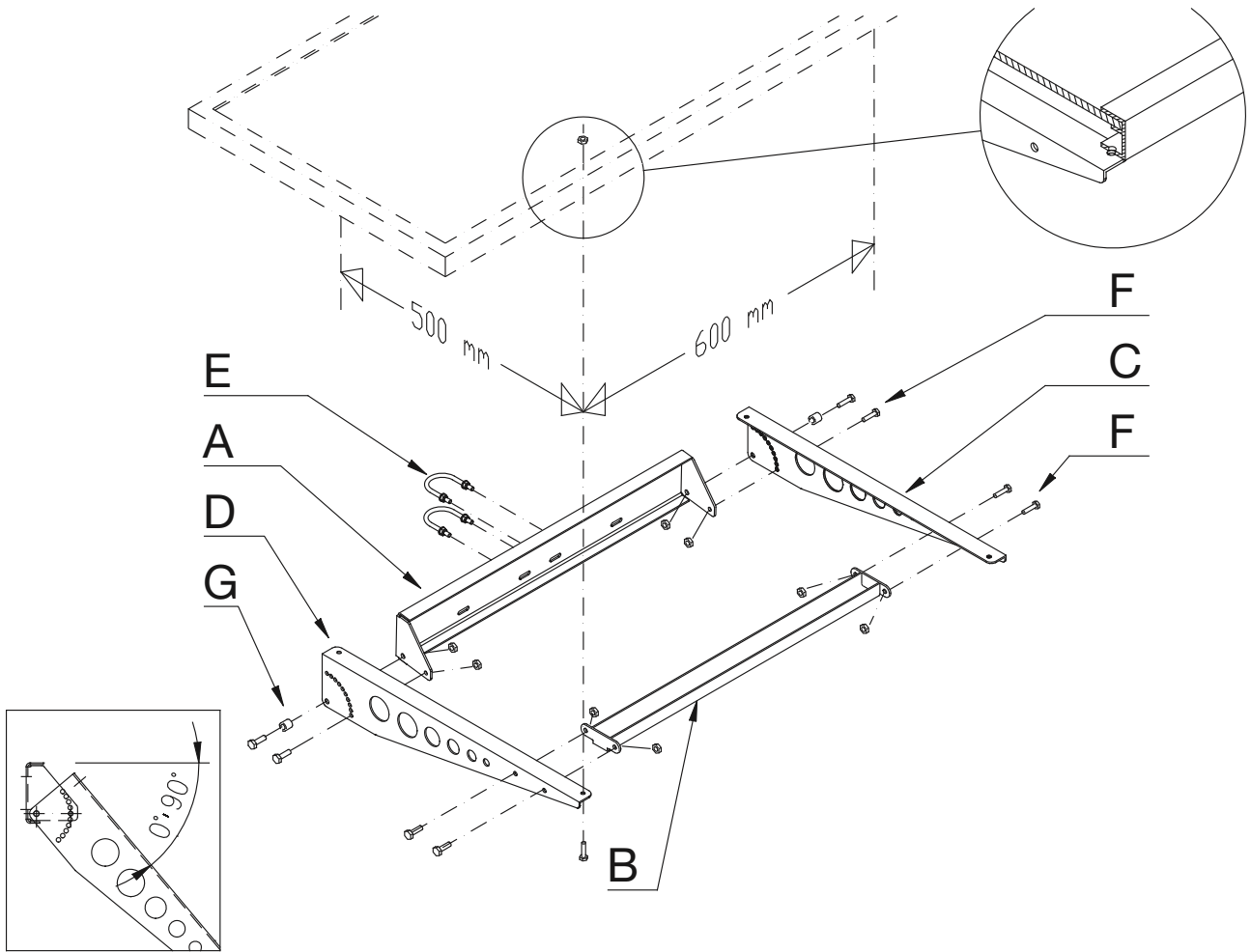
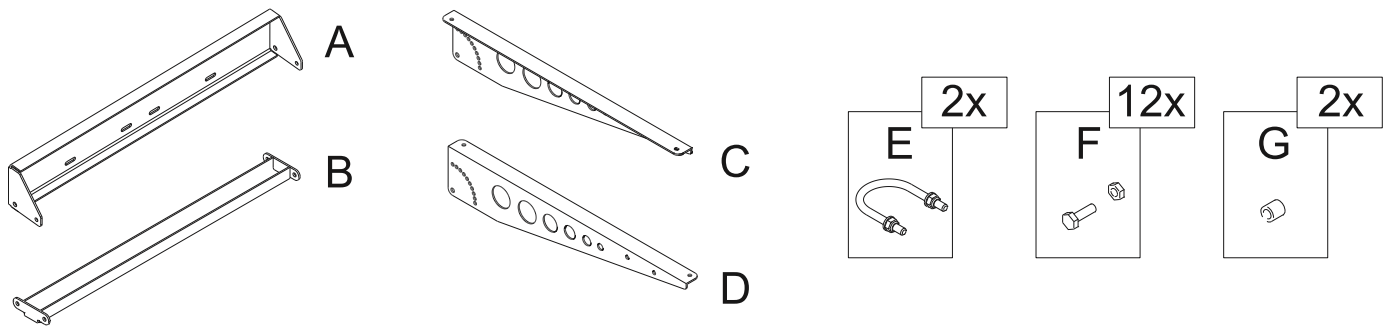


HD2013.2.14



HD2004.20.2


ALAVA
INGENIEROS
www.alavaingenieros.com
 Madrid 91 567 97 00 Barcelona 93 459 42 50



HD2004.22

