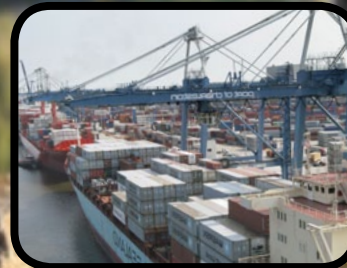


# ACCURACII XR



## SYSTEM SPECIFICATIONS



DETECT • RECOGNIZE • IDENTIFY

SYSTEM OVERVIEW

SYSTEM SPECIFICATIONS

THERMAL CAMERA

THERMAL CAMERA PERFORMANCE

CCD CAMERA

PAN/TILT POSITIONER

TYPICAL SYSTEM DESIGN

CAMERA MOUNTING

ORDERING INFORMATION

ACCESSORY ORDERING INFORMATION

SHIPPING CONTENTS

WIRING ASSIGNMENT

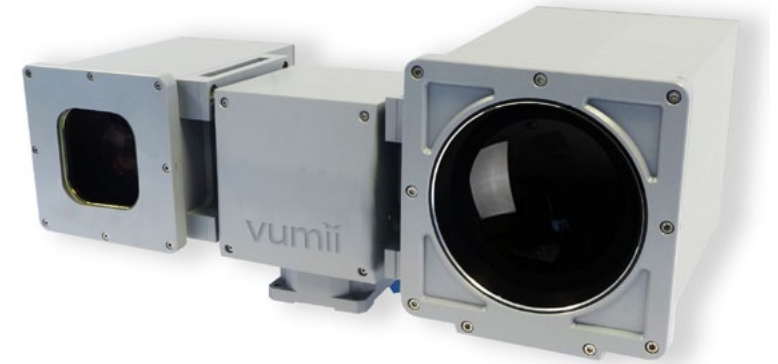
MECHANICAL ICD'S- CZ225 - PG1 PG2

## SYSTEM OVERVIEW

**Accuracii XR** is a powerful long range, night and day multisensor observation system developed for security applications. It allows long range observation and detection using state of the art thermal imaging and CCD technology. The camera features a color CCD camera for day time operation and high performance cooled and uncooled thermal cameras with several long range lens options for both day and night operation.

**Accuracii XR** is designed and constructed to withstand the harshest weather and environmental conditions.

**Accuracii XR** configurations are named based on their thermal imager.



## CONFIGURATIONS

Configuration Type	DAY / NIGHT	DAY
	Thermal Camera & Lens	CCD Camera & Lens
<b>CZ225</b>	17μ 640 x 480 25 - 225mm Continuous Zoom Uncooled Thermal	1/4" Color CCD 3.4 - 122.4mm Continuous Zoom
<b>CZ275</b>	15μ 640 x 512 19 - 275mm Continuous Zoom Cooled Thermal	1/2" Color CCD 10 - 320mm Continuous Zoom
<b>CZ300</b>	15μ 640 x 512 15 - 300mm Continuous Zoom Cooled Thermal	1/2" Color CCD 10 - 320mm Continuous Zoom
<b>CZ420</b>	15μ 640 x 512 21 - 420mm Continuous Zoom Cooled Therma	1/2" Color CCD 15.6 - 500mm Continuous Zoom

## APPLICATIONS

- Port Security
- Airport Perimeters
- Nuclear Power Plants
- Border Surveillance
- Critical Infrastructure
- Oil and Gas facilities

## MAJOR COMPONENTS

- CCD Camera/Lens - Color (Day) Camera and lens for detailed imaging
- Thermal Camera - Thermal (Night) Camera for IR Imaging
- Thermal Camera Lens - Continuous and Dual FOV Lens Options
- Pan/Tilt Positioner - High accuracy pan/tilt unit
- Optional Laser Range Finder module
- Optional GPS module

SYSTEM OVERVIEW

SYSTEM SPECIFICATIONS

THERMAL CAMERA

THERMAL CAMERA PERFORMANCE

CCD CAMERA

PAN/TILT POSITIONER

TYPICAL SYSTEM DESIGN

CAMERA MOUNTING

ORDERING INFORMATION

ACCESSORY ORDERING INFORMATION

SHIPPING CONTENTS

WIRING ASSIGNMENT

MECHANICAL ICD'S- CZ225 - PG1 PG2

## SYSTEM SPECIFICATIONS

### POWER REQUIREMENTS:

- Power Input: 24VDC ± 1%
- Power Consumption: Uncooled: 30w typical (static, no heaters)  
350w max (moving, with heaters)  
Cooled: 30w typical (static, no heaters)  
390w max (moving, with heaters)

### ENVIRONMENTAL:

- Storage Temperature: -40°C to +71°C  
-40° F to +160° F
- Operating Temperature: -40°C to +60°C\*  
-40° F to +140° F
- Humidity: +40°C , 93% RH
- Salt Fog: MIL STD 810E method 509.3
- Environmental Rating: IP66

### MECHANICAL PARAMETERS:

- Weight: CZ225: 23 kg (51 lbs)  
CZ275: 28 kg (62 lbs)  
CZ300: 28 kg (62 lbs)  
CZ420: 29 kg (64 lbs)

### THERMAL CAMERA

- Imager Type: CZ225: Uncooled  
CZ275, CZ300, CZ420: Cooled
- Spectral Band: Uncooled: 7.5-14µ  
Cooled: 3-5µ
- Pixel Size / Resolution: Uncooled: 17µ / 640 x 480 NTSC/PAL  
Cooled: 15µ / 640 x 512 NTSC/PAL
- NETD: Uncooled: <50° mK  
Cooled: <25° mK

### VIDEO FORMAT:

- Dual Channel (Thermal/CCD) - 2 BNC's
- RS-170/CCIR, 1.0V p-p, 75ohm

\*CZ420 Operating Temperature: -20°C to +60°C (-4° F to +140° F)

### COMMUNICATION:

- RS-422/RS-485 Serial
- Protocol: Pelco D, Vumii (SDK Available)

### PAN/TILT UNIT

- Pan/Tilt Speed: 0-50° per second
- Pan Range: 360° continuous
- Tilt Range: -90° to +90°
- Pan/Tilt Resolution: +/- 1.5 mRad

### EMC:

- FCC 47 CFR part 15 sub B
- EN 55022
- EN 55024

### SAFETY:

- EN 60950-1: 06
- EN 60950-22: 06 and A11:08

### CERTIFICATIONS:

- ROHS compliant
- CE
- FCC

### OPTIONAL LRF SPECIFICATIONS

- Maximum Range: 2000m
- Minimum Range: 5m
- Range Accuracy @<1500m: +/- 3m
- Range Accuracy @>1500m: +/- 5m
- Laser Safety Rating: Class 1
- Nominal Wavelength: 1550nm

SYSTEM OVERVIEW

SYSTEM SPECIFICATIONS

THERMAL CAMERA

THERMAL CAMERA PERFORMANCE

CCD CAMERA

PAN/TILT POSITIONER

TYPICAL SYSTEM DESIGN

CAMERA MOUNTING

ORDERING INFORMATION

ACCESSORY ORDERING INFORMATION

SHIPPING CONTENTS

WIRING ASSIGNMENT

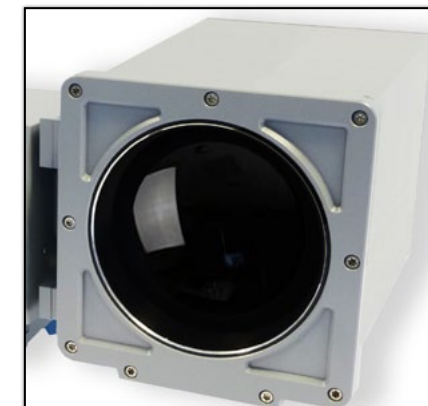
MECHANICAL ICD'S- CZ225 - PG1 PG2

## THERMAL CAMERA

### OVERVIEW

**Accuracii™ XR** uses Vumii's high sensitivity cooled and un-cooled thermal cores available in 15μ 640 x 512 resolution (cooled) or 17μ 640 x 480 resolution (uncooled). The uncooled thermal core is paired with an innovative 25-225mm continuous zoom lens and the cooled cores are paired with one of three options: 19-275mm, 15-300mm, or 21-420mm continuous zoom lenses. All Accuracii XR thermal cores feature thermal AutoFocus on Demand that drastically increases the ease of use of the camera system.

The camera is designed and constructed to withstand the harshest weather and environmental conditions.



### SPECIFICATIONS AND FEATURES

Configuration	CZ225	CZ275	CZ300	CZ420
Thermal Engine	17μ 640 x 480	15μ 640 x 512	15μ 640 x 512	15μ 640 x 512
Lens Type	Continuous Zoom	Continuous Zoom	Continuous Zoom	Continuous Zoom
Focal Length	25 - 225mm	19 - 275mm	15 - 300mm	21 - 420mm
Lens F #	f/1.5	f/5.5	f/4.0	f/4.0
Video Type	(NTSC/PAL)	(NTSC/PAL)	(NTSC/PAL)	(NTSC/PAL)
Spectral band	7.5 - 14μ	3 - 5μ	3 - 5μ	3 - 5μ
NETD	<50° mK	<25° mK	<25° mK	<25° mK
Horizontal Field of View (wide)	24.5°	29.8°	35.1°	25.1°
Horizontal Field of View (narrow)	2.77°	2.0°	1.8°	1.3°
Digital Zoom	1x, 2x, 4x			
Focus control	Motorized, Autofocus on Demand			
Control operation	Polarity, NUC, Image flip, Manual gain/level, Optical & Digital Zoom, Autofocus on Demand			

SYSTEM OVERVIEW

SYSTEM SPECIFICATIONS

THERMAL CAMERA

THERMAL CAMERA PERFORMANCE

CCD CAMERA

PAN/TILT POSITIONER

TYPICAL SYSTEM DESIGN

CAMERA MOUNTING

ORDERING INFORMATION

ACCESSORY ORDERING INFORMATION

SHIPPING CONTENTS

WIRING ASSIGNMENT

MECHANICAL ICD'S- CZ225 - PG1 PG2

## THERMAL CAMERA PERFORMANCE

**Legend**

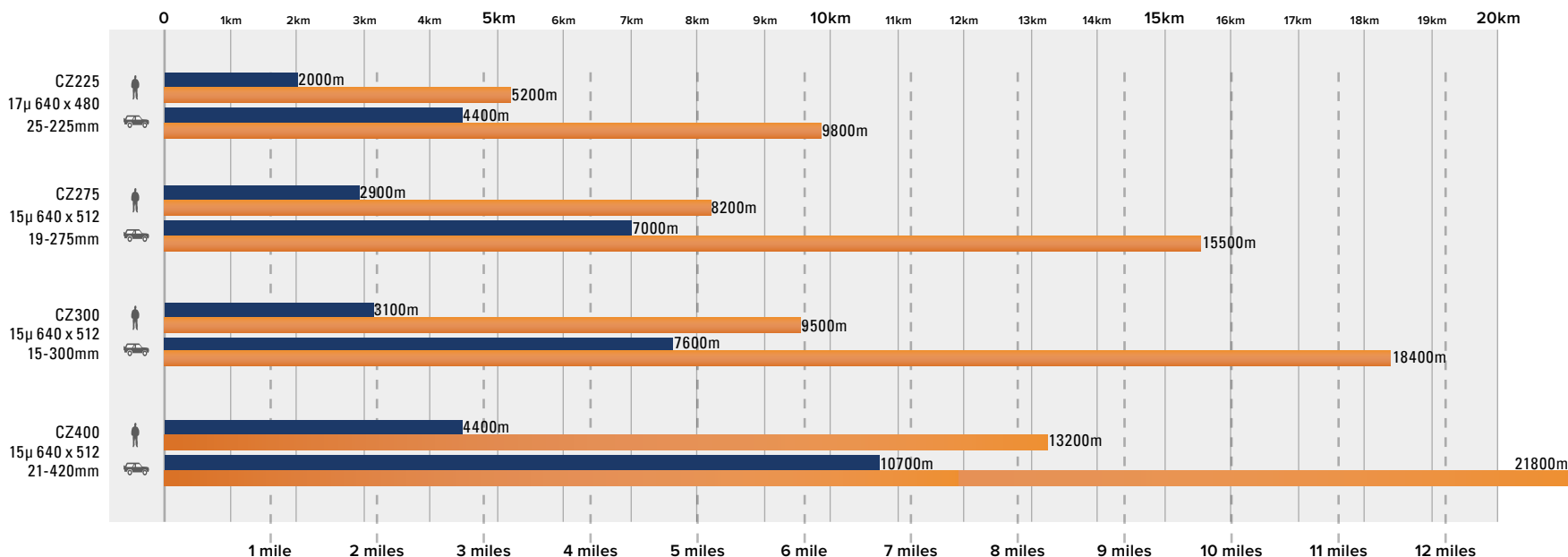
**D/N Detection (Thermal) - 1.5 PoT**

**D/N Recognition (Thermal) - 6 VPoT**

**= Human Subject Size**  
1.83m x 0.75m

**= Vehicle Subject Size**  
2.3m x 2.3m

Detection: 1.5 pixels across critical dimension  
 Recognition: 6 pixels across critical dimension  
 Critical Dimension: 0.75m (human); 2.3m (vehicle)



SYSTEM OVERVIEW

SYSTEM SPECIFICATIONS

THERMAL CAMERA

THERMAL CAMERA PERFORMANCE

CCD CAMERA

PAN/TILT POSITIONER

TYPICAL SYSTEM DESIGN

CAMERA MOUNTING

ORDERING INFORMATION

ACCESSORY ORDERING INFORMATION

SHIPPING CONTENTS

WIRING ASSIGNMENT

MECHANICAL ICD'S- CZ225 - PG1 PG2

## CCD CAMERA

**Accuracii™ XR** includes several daytime color CCD options based on the configuration chosen. Additionally, the CCD camera head will enclose the optional Laser Range Finder and/or GPS position modules.

### OVERVIEW

The imager is a high sensitivity, high zoom magnification visible camera providing color video for day-time operation.



### CCD CAMERA SPECIFICATIONS

	CZ225	CZ275	CZ300	CZ420
<b>Imager Type</b>	1/4" Color CCD	1/2" Color CCD	1/2" Color CCD	1/2" Color CCD
<b>Effective Pixels</b>	768 x 494 (NTSC) 752 x 582 (PAL)	768 x 494 (NTSC) 752 x 582 (PAL)	768 x 494 (NTSC) 752 x 582 (PAL)	768 x 494 (NTSC) 752 x 582 (PAL)
<b>Lens Type</b>	36x Continuous Zoom	32x Continuous Zoom	32x Continuous Zoom	32x Continuous Zoom
<b>Lens Focal Length</b>	3.3 - 119mm	10 - 320mm	10 - 320mm	15.6 - 500mm
<b>Imager Horizontal FOV</b>	60.2° to 1.8°	35.3° to 1.1°	35.3° to 1.1°	22.4° to 0.45°
<b>S/N ratio</b>	<50 dB	<50 dB	<50 dB	<50 dB

### LASER RANGE FINDER SPECIFICATIONS (OPTIONAL)

<b>Maximum Range</b>	2000 meters
<b>Minimum Range</b>	5m
<b>Range Accuracy @&lt;1500m</b>	+/- 3m
<b>Range Accuracy @&gt;1500m</b>	+/- 5m
<b>Nominal Wavelength</b>	1550nm
<b>Laser Safety Rating</b>	Class 1

### GPS MODULE (OPTIONAL)

The optional GPS module allows transmission of the camera's current GPS coordinates.

SYSTEM OVERVIEW

SYSTEM SPECIFICATIONS

THERMAL CAMERA

THERMAL CAMERA PERFORMANCE

CCD CAMERA

PAN/TILT POSITIONER

TYPICAL SYSTEM DESIGN

CAMERA MOUNTING

ORDERING INFORMATION

ACCESSORY ORDERING INFORMATION

SHIPPING CONTENTS

WIRING ASSIGNMENT

MECHANICAL ICD'S-  
CZ225 - PG1 PG2

## PAN / TILT POSITIONER

The variable speed Pan/Tilt unit provides continuous 360° rotation of the cameras at up to 50°/sec (pan/tilt)

The PT platform supports the following modules:

- Thermal (IR) camera enclosure  
Thermal camera/lens
- Charge-coupled device (CCD) camera enclosure  
CCD camera/lens  
Optional LRF module  
Optional GPS module



## SPECIFICATIONS

Position accuracy (resolution)	+/- 1.5 mRad
Minimum pan speed	0.1°/sec.
Maximum pan speed	50°/sec
Minimum tilt speed	0.1°/sec.
Maximum tilt speed	50°/sec
Tilt range	+90°/-90°

SYSTEM OVERVIEW

SYSTEM SPECIFICATIONS

THERMAL CAMERA

THERMAL CAMERA PERFORMANCE

CCD CAMERA

PAN/TILT POSITIONER

TYPICAL SYSTEM DESIGN

CAMERA MOUNTING

ORDERING INFORMATION

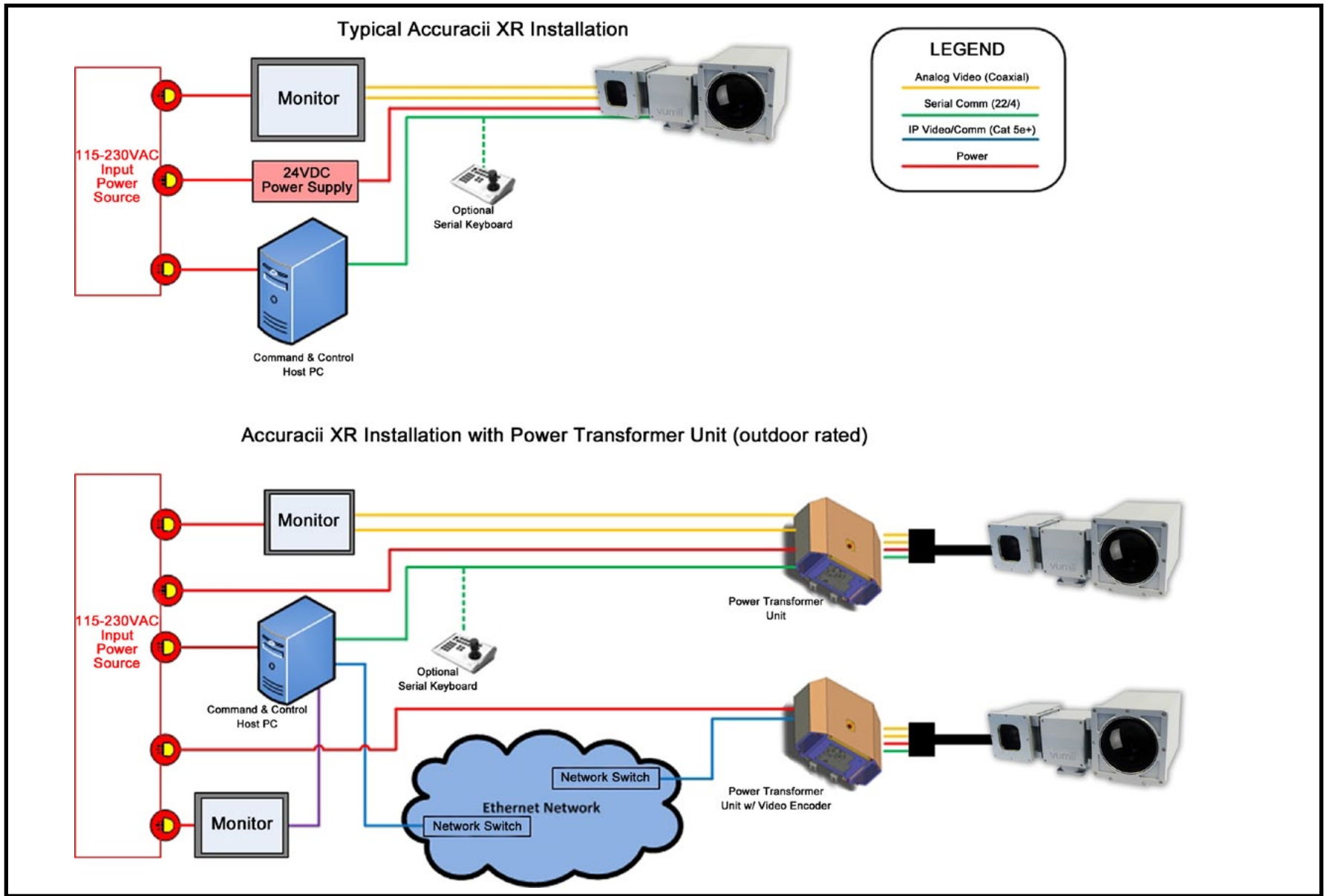
ACCESSORY ORDERING INFORMATION

SHIPPING CONTENTS

WIRING ASSIGNMENT

MECHANICAL ICD'S - CZ225 - PG1 PG2

## TYPICAL SYSTEM DESIGN





SYSTEM OVERVIEW

SYSTEM SPECIFICATIONS

THERMAL CAMERA

THERMAL CAMERA PERFORMANCE

CCD CAMERA

PAN/TILT POSITIONER

TYPICAL SYSTEM DESIGN

CAMERA MOUNTING

ORDERING INFORMATION

ACCESSORY ORDERING INFORMATION

SHIPPING CONTENTS

WIRING ASSIGNMENT

MECHANICAL ICD's - CZ225 - PG1 PG2

## CAMERA MOUNTING

### REQUIRED INSTALLATION CLEARANCE

**IMPORTANT:** The unit should be installed in a location with at least the listed amount of required clearance:

**Minimum Total Pan Clearance** The minimum pan clearance width is calculated as the diameter. The radius can be found by dividing the diameter in half.

**Minimum Total Tilt Clearance** The minimum tilt clearance height is calculated starting from the base of the Accuracii XR unit

#### ALL CONFIGURATIONS

**Minimum Total Pan Clearance: 750mm (29.53")**

**Minimum Total Tilt Clearance: 470mm (18.51")**

#### Mounting Hardware

##### Imperial

- 4 x SCR 1/3" 20NCX7/8" HEX HD SS bolts
- 8 x 1/3" Flat SS lock washers
- 4 x 1/3" SS washer springs
- 4 x 1/3" 20NC HEX nuts

##### Metric

- 4 x SCR M8 20NCX (22mm length) HEX HD SS bolts
- 8 x M8 Flat SS lock washers
- 4 x M8 SS washer springs
- 4 x M8 20NC HEX nuts

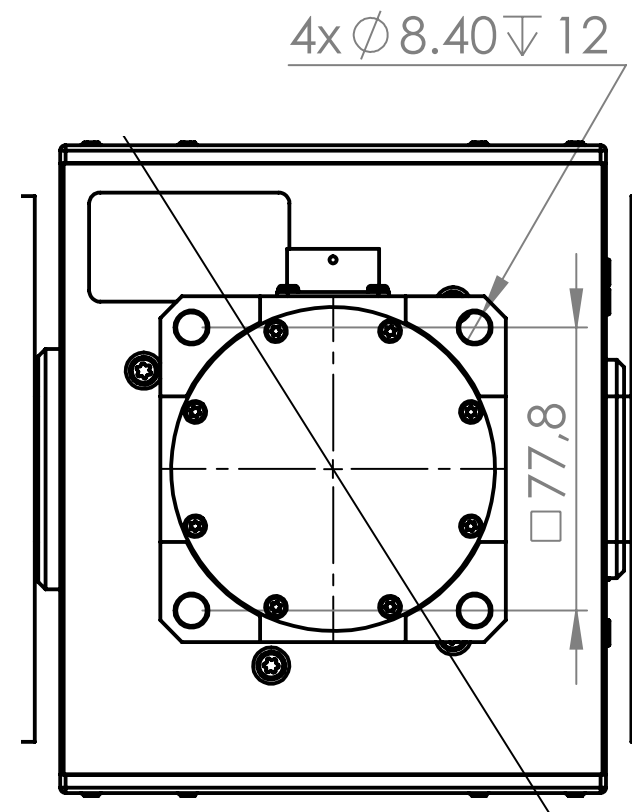
#### Mounting Options

Vumii Wall Mount Kit: Part #PA1000019A  
Includes mounting plate MP1000017A

Vumii Pole Mount Kit: Part #PA1000020A  
Includes Vumii Wall Mount Kit Part #PA100019A  
Includes mounting plate MP1000017A

#### Custom Mounting Specifications

The base of the Accuracii XR uses a 77.8mm (3.06") hole pattern  
Mounting plate MP1000017A is available with other hole patterns



All Dimensions in millimeters

SYSTEM OVERVIEW

SYSTEM SPECIFICATIONS

THERMAL CAMERA

THERMAL CAMERA PERFORMANCE

CCD CAMERA

PAN/TILT POSITIONER

TYPICAL SYSTEM DESIGN

CAMERA MOUNTING

ORDERING INFORMATION

ACCESSORY ORDERING INFORMATION

SHIPPING CONTENTS

WIRING ASSIGNMENT

MECHANICAL ICD'S- CZ225 - PG1 PG2

## ORDERING INFORMATION

### ACCURACII XR MODELS

A standard order **Accuracii XR** ships as an integrated unit consisting two camera heads, one camera head contains the thermal camera and lens and the other camera head contains the CCD camera and lens. If ordered, the optional laser range finder and gps module will be installed above the pan/tilt unit. The system will ship with a mating connector for connection the the pan/tilt base mounted connector, and a CD containing product documentation and test/setup software. See the next page for additional optional accessories

Configuration	CCD Camera/Lens	Thermal Engine/Lens	Video Type	Camera Options	Part Number
CZ225	3.3 - 119mm Continuous Zoom	17μ 640 x 480 Uncooled	NTSC	None	AC225D17V-PAN00
				LRF	AC225D17V-PAN10
				GPS	AC225D17V-PAN20
				LRF & GPS	AC225D17V-PAN30
		25-225mm Continuous Zoom	PAL	None	AC225D17V-PAP00
				LRF	AC225D17V-PAP10
				GPS	AC225D17V-PAP20
				LRF & GPS	AC225D17V-PAP30
CZ275	15 - 300mm Continuous Zoom	15μ 640 x 512 Cooled	NTSC	None	AC275Z15V-PAN01
				LRF	AC275Z15V-PAN11
				GPS	AC275Z15V-PAN21
				LRF & GPS	AC275Z15V-PAN31
		19-275mm Continuous Zoom	PAL	None	AC275Z15V-PAP01
				LRF	AC275Z15V-PAP11
				GPS	AC275Z15V-PAP21
				LRF & GPS	AC275Z15V-PAP31
CZ300	15 - 300mm Continuous Zoom	15μ 640 x 512 Cooled	NTSC	None	AC300Z15V-PAN01
				LRF	AC300Z15V-PAN11
				GPS	AC300Z15V-PAN21
				LRF & GPS	AC300Z15V-PAN31
		15-300mm Continuous Zoom	PAL	None	AC300Z15V-PAP01
				LRF	AC300Z15V-PAP11
				GPS	AC300Z15V-PAP21
				LRF & GPS	AC300Z15V-PAP31
CZ420	15.6 - 500mm Continuous Zoom	15μ 640 x 512 Cooled	NTSC	None	AC420Z15V-PAN02
				LRF	AC420Z15V-PAN12
				GPS	AC420Z15V-PAN22
				LRF & GPS	AC420Z15V-PAN32
		21-420mm Continuous Zoom	PAL	None	AC420Z15V-PAP02
				LRF	AC420Z15V-PAP12
				GPS	AC420Z15V-PAP22
				LRF & GPS	AC420Z15V-PAP32

SYSTEM OVERVIEW

SYSTEM SPECIFICATIONS

THERMAL CAMERA

THERMAL CAMERA PERFORMANCE

CCD CAMERA

PAN/TILT POSITIONER

TYPICAL SYSTEM DESIGN

CAMERA MOUNTING

ORDERING INFORMATION

ACCESSORY ORDERING INFORMATION

SHIPPING CONTENTS

WIRING ASSIGNMENT

MECHANICAL ICD's- CZ225 - PG1 PG2

## ACCESSORY ORDERING INFORMATION

Accuracii XR can be ordered with the following optional accessories and mounts:

Accessory	Description	Part #
<b>Cables</b>		
5m (15') Integration Cable	Mating connector to Dual BNC's (video), DB9 (comm), and power leads	WC1000009A
15m (45') Integration Cable	Mating connector to Dual BNC's (video), DB9 (comm), and power leads	WC1000010A
<b>Power</b>		
Power Transformer Unit	Outdoor rated enclosure with 24VDC 20 amp power transformer 120-230VAC	PA1000018A
Power Transformer Unit & Encoder	Outdoor rated enclosure with 24VDC 20 amp power transformer 120-230VAC and H.264 video encoder	PA1000014A
24VDC Power Supply	24VDC 20 amp (480w) indoor rated power supply	PS1000016A
<b>Video &amp; Communication</b>		
H.264 Video Encoder	H.264 TCP/IP Encoder with four video input channels and one serial communication input channels	PA1000013A
Video Capture Card	USB card allows for the display and recording of 1 analog video channel	880518
Keyboard / Joystick	Pelco -D compatible Serial Communication Keyboard with joystick for camera control	805199
<b>Mounts</b>		
Wall Mount Kit	Wall Mount Kit	PA1000019A
Pole Mount Kit	Pole Mount Adaptor and Wall Mount Kit	PA1000020A

SYSTEM OVERVIEW

SYSTEM SPECIFICATIONS

THERMAL CAMERA

THERMAL CAMERA PERFORMANCE

CCD CAMERA

PAN/TILT POSITIONER

TYPICAL SYSTEM DESIGN

CAMERA MOUNTING

ORDERING INFORMATION

ACCESSORY ORDERING INFORMATION

SHIPPING CONTENTS

WIRING ASSIGNMENT

MECHANICAL ICD'S-  
CZ225 - PG1 PG2

## SHIPPING CONTENTS

### STANDARD ORDER

■ **Accuracii™ XR** includes:

- 1) Accuracii XR system
  - Thermal camera
  - Pan/tilt positioner
  - CCD camera
- 2) Software & Documentation CD containing:
  - User Manual
  - Test & Configuration Software (Sensorii)
- Pan/Tilt base mating connector (not shown)

### OPTIONAL EQUIPMENT:

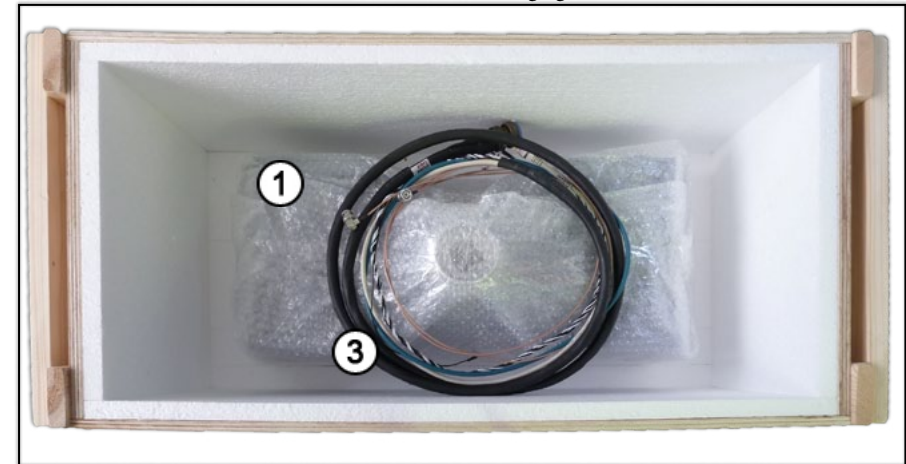
Mounted to Accuracii before shipping

- Laser Range Finder
- GPS Module

Not mounted to Accuracii before shipping:

- 5m (15') Integration Cable (4)
- 15m (45') Integration Cable (4)
- Power Transformer Unit (packaged separately)
- Power Transformer Unit & Encoder (packaged separately)
- 24VDC Power Supply (packaged separately)
- H.264 Video Encoder (packaged separately)
- Video Capture Card (packaged separately)
- Keyboard / Joystick (packaged separately)
- Wall Mount (packaged separately)
- Pole Mount Adaptor (packaged separately)

Accuracii XR Packaging



SYSTEM OVERVIEW

SYSTEM SPECIFICATIONS

THERMAL CAMERA

THERMAL CAMERA PERFORMANCE

CCD CAMERA

PAN/TILT POSITIONER

TYPICAL SYSTEM DESIGN

CAMERA MOUNTING

ORDERING INFORMATION

ACCESSORY ORDERING INFORMATION

SHIPPING CONTENTS

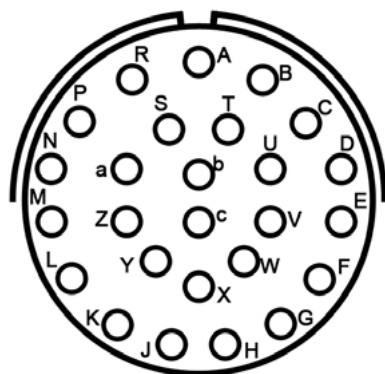
WIRING ASSIGNMENT

MECHANICAL ICD'S - CZ225 - PG1 PG2

## WIRING ASSIGNMENT

### Accuracii Pedestal Connector & Pinout

Pan/Tilt Base Connector



Pin	Signal
E	+24VDC
U	+24VDC
b	+24VDC
F	GND (0V)
V	GND (0V)
W	GND (0V)
A	RS422/RS485 RX-
T	RS422/RS485 RX+
B	RS422/RS485 TX-
C	RS422/RS485 TX+
H	VIDEO 1 GND
G	VIDEO 1
K	VIDEO 2 GND
J	VIDEO 2

### Part Numbers

Optional Integration cable 5m (15'): WC1000009A

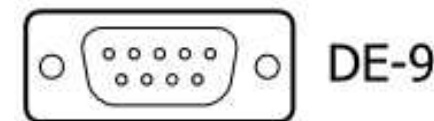
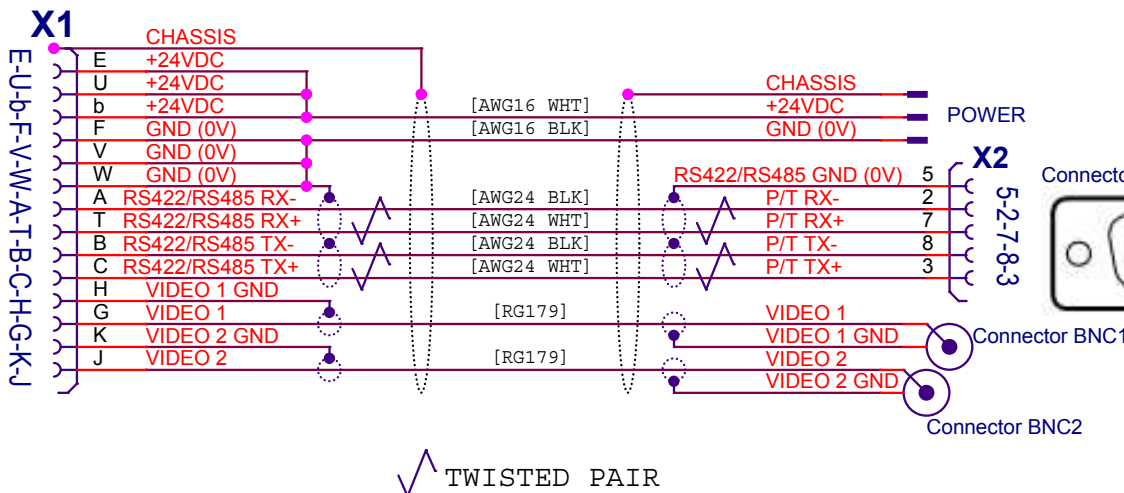
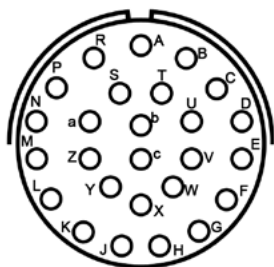
Optional Integration cable 15m (45'): WC1000010A

Mating Connector\*: 851-36RG1626S50

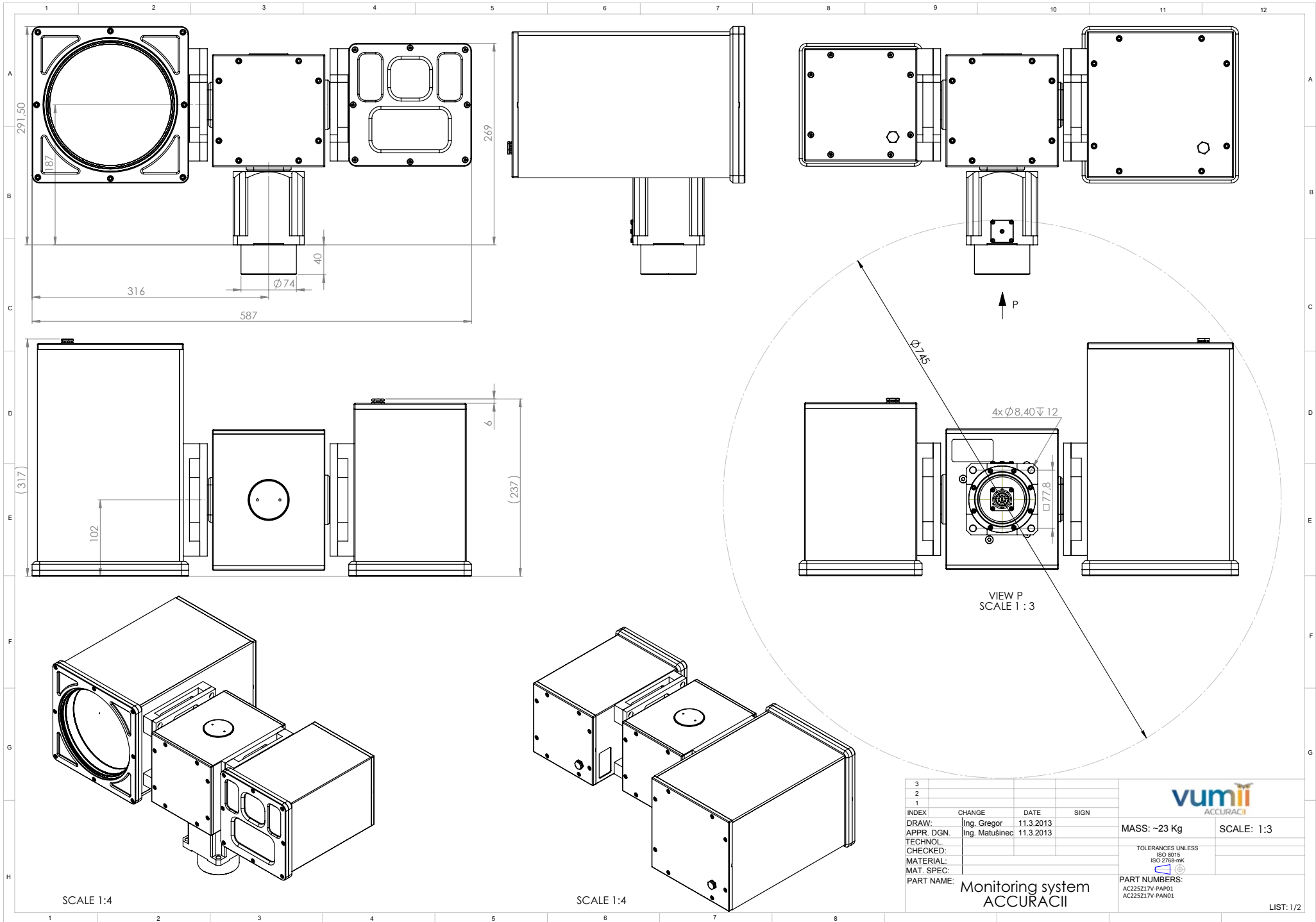
\* All Accuracii orders include a mating connector

### Optional Integration Cable Pinout and Connectors

Mating Connector Part #  
851-36RG1626S50



# SYSTEM DRAWINGS - CZ225 PAGE 1



INDEX:	CHANGE	DATE	SIGN
3			
2			
1			

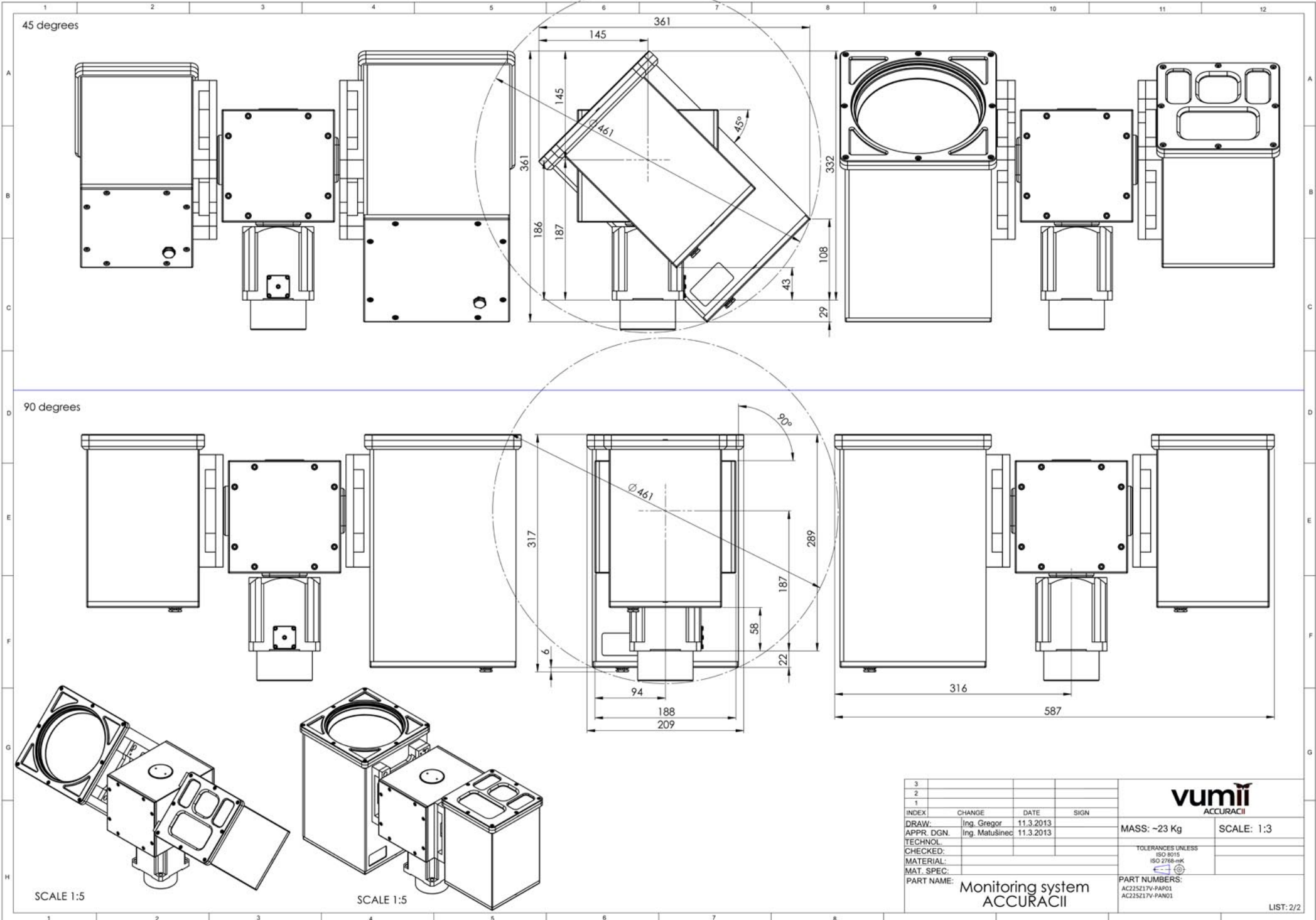
DRAW: Ing. Gregor 11.3.2013  
 APPR. DGN: Ing. Matusinec 11.3.2013  
 TECHNOL:  
 CHECKED:  
 MATERIAL:  
 MAT. SPEC:  
 PART NAME:

**vumii**  
ACCURACII

MASS: ~23 Kg      SCALE: 1:3  
 TOLERANCES UNLESS  
 ISO 8015  
 ISO 2768-MK  
 PART NUMBERS:  
 AC225Z17V-PAP01  
 AC225Z17V-PAN01

LIST: 1/2

Monitoring system  
ACCURACII



INDEX	CHANGE	DATE	SIGN
3			
2			
1			
DRAW:	Ing. Gregor	11.3.2013	
APPR. DGN.	Ing. Matusinec	11.3.2013	
TECHNOL. CHECKED:			
MATERIAL:			
MAT. SPEC:			
PART NAME:	Monitoring system ACCURACII		



**MASS:** ~23 Kg      **SCALE:** 1:3  
**TOLERANCES UNLESS**  
 ISO 8015  
 ISO 2768-mK  
  
**PART NUMBERS:**  
 AC225217V-PAP01  
 AC225217V-PAN01

LIST: 2/2